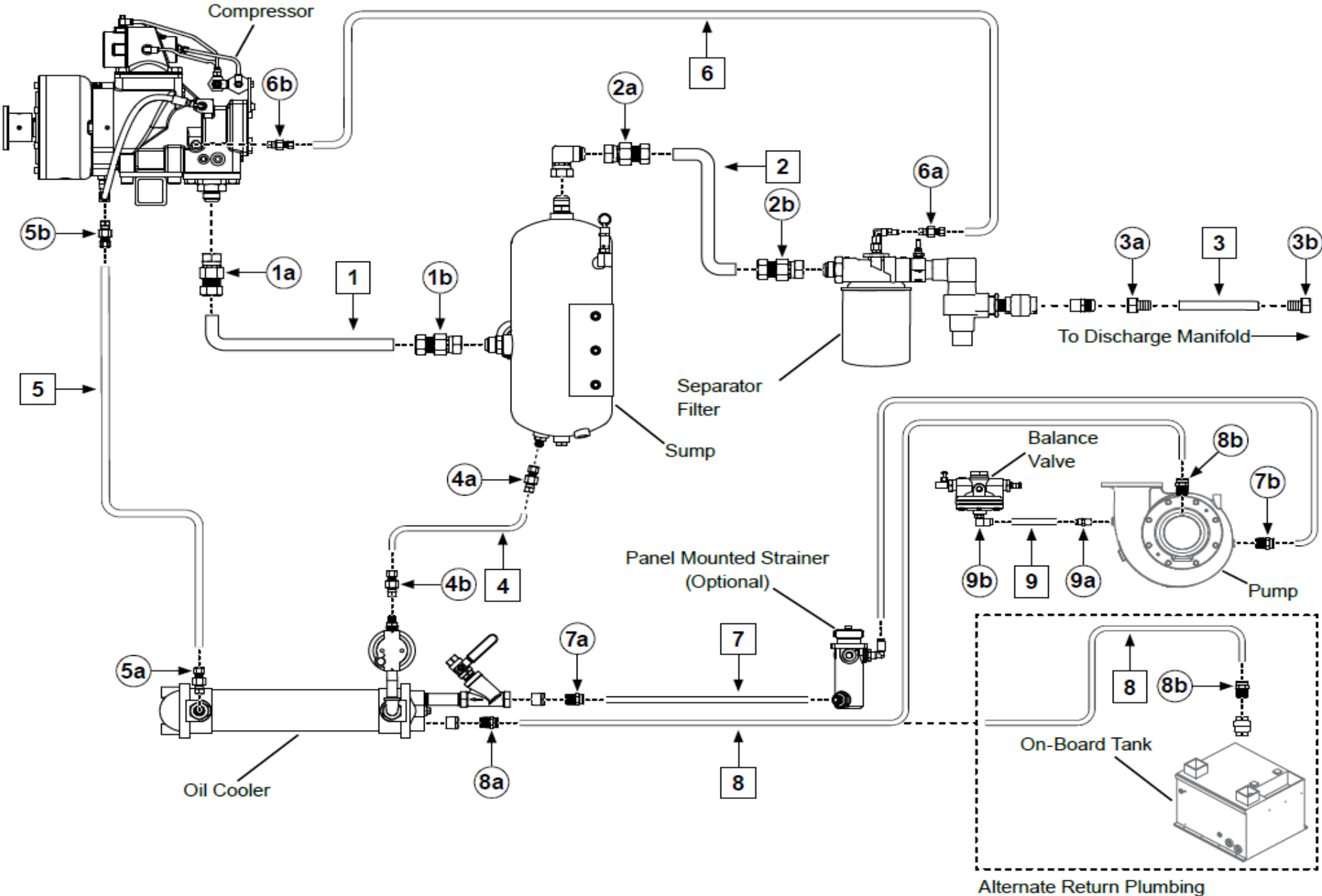


CAF System Optional Hose and Fitting Kits Optional Oil Inject Check Valve Kits

CAF System Ordered

Stand-alone					With a Pump or PTO											
CAFS Model Ordered	Order Part No.				Pump Model	Transmission Model	PTO Model	CAFS Model Ordered	Order Part No.							
	Hose and Fitting Kit		Oil Inject Check Valve						Hoses and Fitting Kit		Oil Inject Check Valve					
	Part No.	See Pages	Part No.	See Page					Part No.	See Pages	Part No.	See Page				
80-P	83368-3A	2, 3	83368-2A	4	CM, CMU CS, CSU	C20B, C20C, C20D C20E, C20F PA	--	150-D 150-ECL	83368-3C	2, 3	83368-2B	4				
100-B	83368-3B	2, 3	83368-2B		CXN CXS CXV	C20B, C20C, C20D C20E, C20F	--	150-ESD 150-ESECL Eclipse ES								
100-ECLB					--	TC20B, TC20C TC20D, TC20E TC20F										
250-100-P					83368-3C	2, 3	83368-2B	HL200 HL300 HL400					K	--	100-D 120-D 150-D 150-ECL	
250-120-P								200-D					83368-3D	2, 3	83368-2C	
500-100-P								83368-3C					2, 3	83368-2B	1000-100-P	4
500-120-P															1000-150-P	
140-P	1000-150-ECL															
150-ECL	1250-100-P															
200-P	1250-150-P															
500-150-P	1250-150-ECL															
750-100-P																
750-150-P																

Components furnished with Hose and Fitting Kit



Components furnished with Hose and Fitting Kit

Hose Run	Connection		CAF System Component	Kit Includes	
	From	To		Fitting	Hose or Tubing
1	1a	--	Compressor Air Outlet	Reusable Hose End	Hydraulic Hose
	--	1b		90° Elbow (Use Optional)	
2	2a	--	Sump Air Outlet	Reusable Hose End	Hydraulic Hose
	--	2b		90° Elbow (Use Optional)	
3	3a	--	Separator Filter Air Outlet	Straight Adapter, PTC	Push On Hose
	--	3b		Hose Barb	
4	4a	--	Sump Oil Outlet	Reusable Hose End	Hydraulic Hose
	--	4b		90° Elbow (Use Optional)	
5	5a	--	Oil Cooler Oil Outlet	Reusable Hose End	Hydraulic Hose
	--	5b		90° Elbow (Use Optional)	
6	6a	--	Separator Filter Scavaged Oil Outlet	Reusable Hose End	Hydraulic Hose
	--	6b		90° Elbow (Use Optional)	

Hose Run	Connection		CAF System Component	Kit Includes	
	From	To		Fitting	Hose or Tubing
7	7a	--	Oil Cooler Water from Fire Pump	Straight Adapter, PTC	Air Brake Tubing
	--	7b		In-Line Strainer	
8	8a	--	Oil Cooler Water Inlet	Panel Strainer	Straight Adapter, PTC
				In-Line Strainer	Reducing Bushing
9*	9a	--	Balance Valve from Fire Pump	Straight Adapter, PTC	Air Brake Tubing
	--	9b		Balance Valve Water Inlet	

* Balance Valve not used with Eclipse GEN 2.0 Generated CAF System Models 150-ECL and 150-ESECL.

Components furnished with Oil Inject Check Valve Kit

Hose			Kit Includes		Used with CAF System	
Run	Connection	Size Used	Ref No.	Description	CFM	Kit Part No.
5	5a to 5b Oil Cooler Outlet to Compressor Oil Inlet	3/8 in.	971	Check Valve, 3/8 in.	80 CFM	83368-2A
			972	Straight Adapter, 6 MJIC x 3/8 MNPT		
			973	90° Elbow, Swivel, 6 FJIC x 3/8 MNPT		
		1/2 in.	971	Check Valve, 1/2 in.	100, 120, 150 and 200 CFM	83368-2B
			972	Straight Adapter, 8 MJIC x 1/2 MNPT		
			973	Straight Adapter, Swivel, 8 FJIC x 1/2 MNPT		
		3/4 in.	971	Check Valve, 3/4 in.	200 CFM As used with HL400 Pump Models	83368-2C
			972	Straight Adapter, 12 MJIC x 3/4 MNPT		
			973	Straight Adapter, Swivel, 12 FJIC x 3/4 MNPT		

