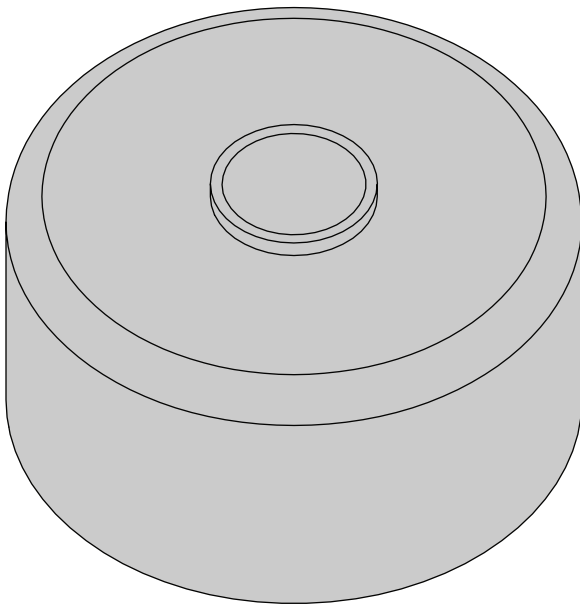


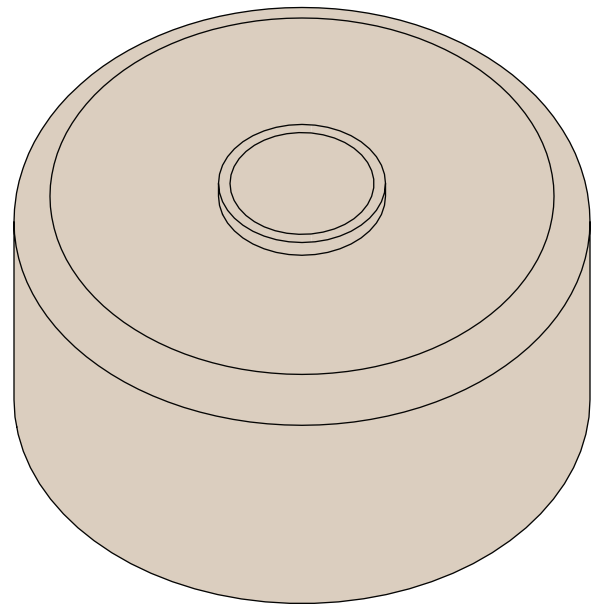
Technical Bulletin No. 140

Anode Update

In 2020, the optional zinc anode was replaced by an interchangeable magnesium anode. The anodes share the same dimensions, but magnesium was found to be more efficient in preventing pump corrosion in fresh water applications.



Old Anode (Zinc)



New Anode (Magnesium)