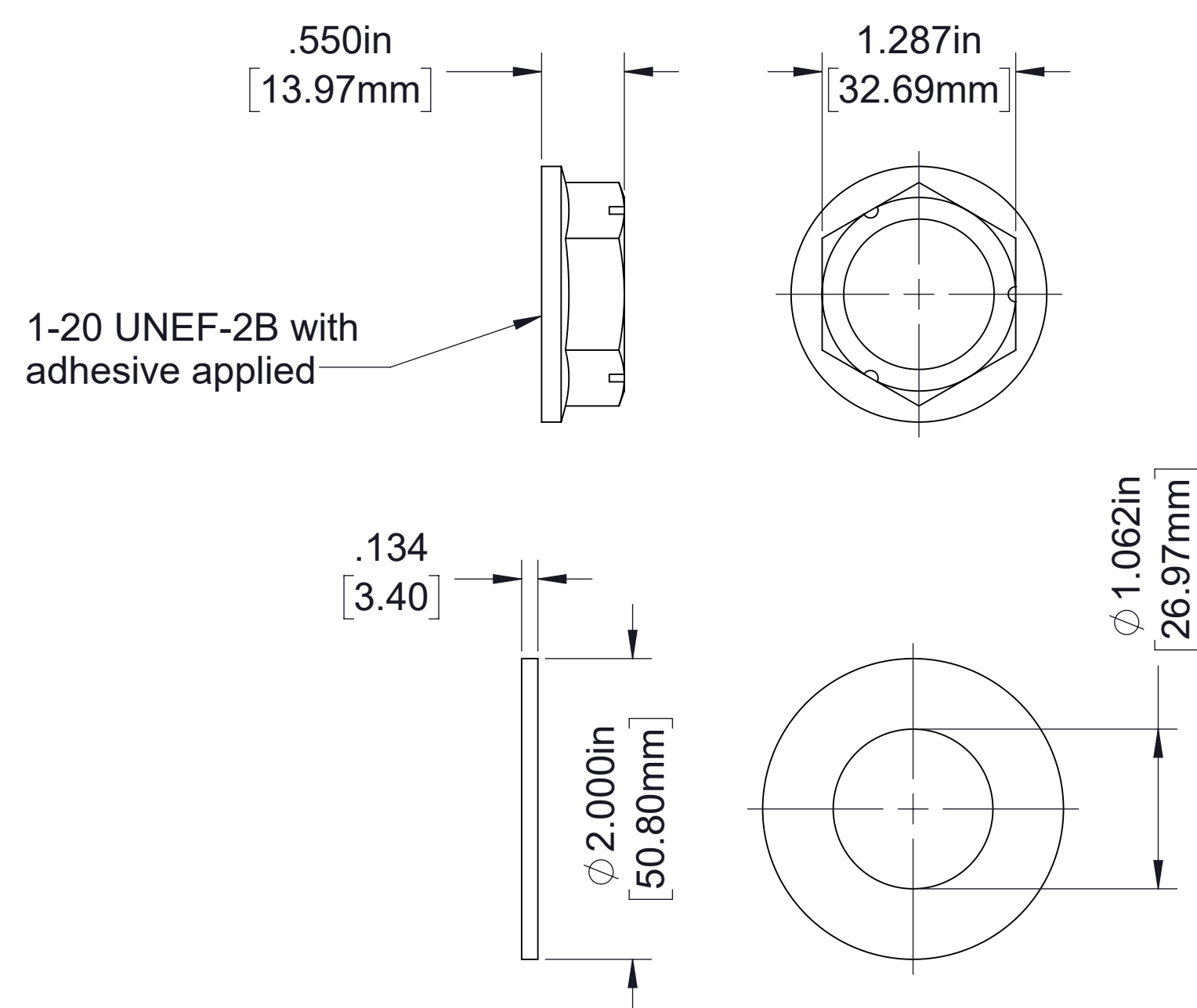
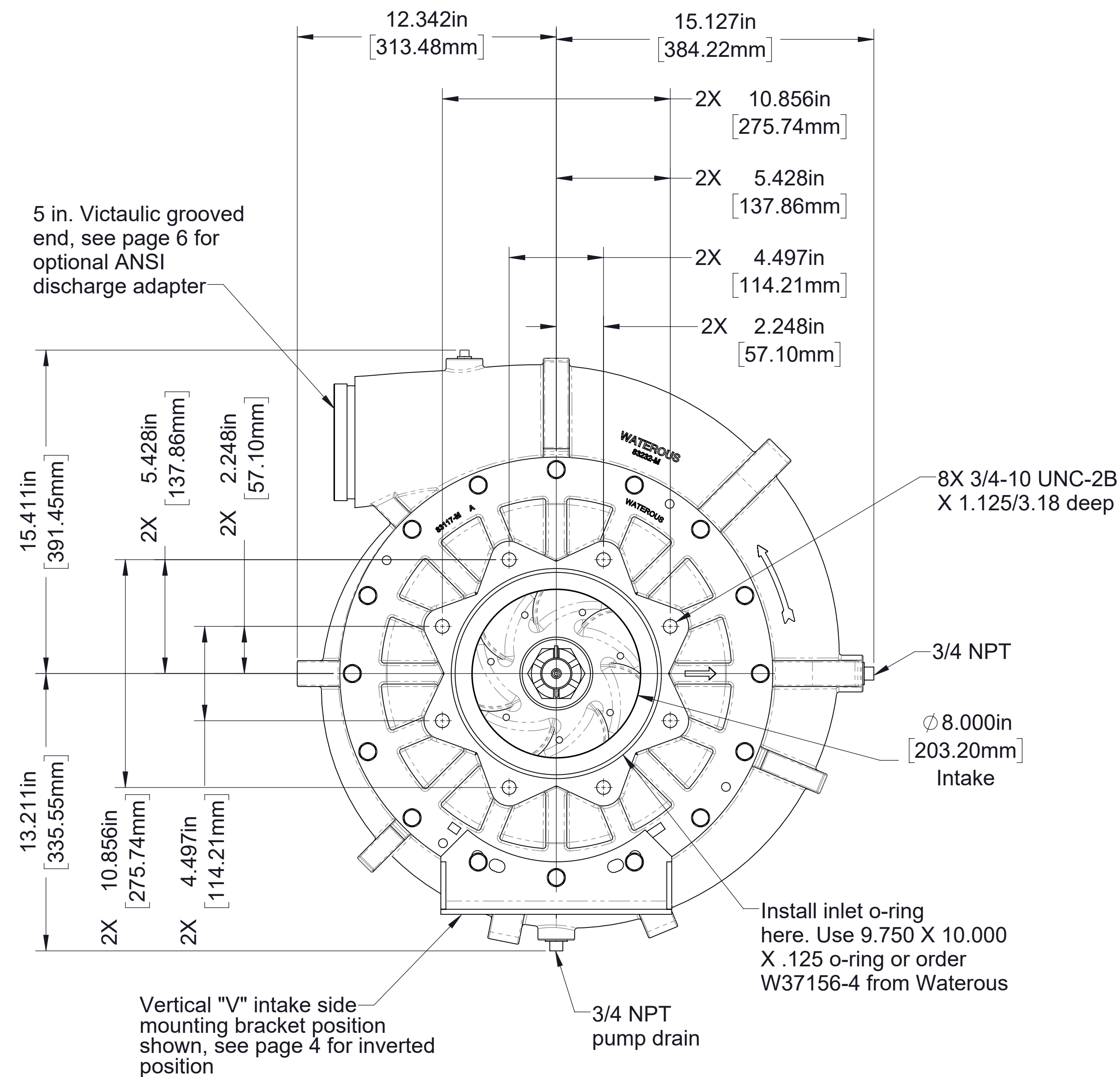
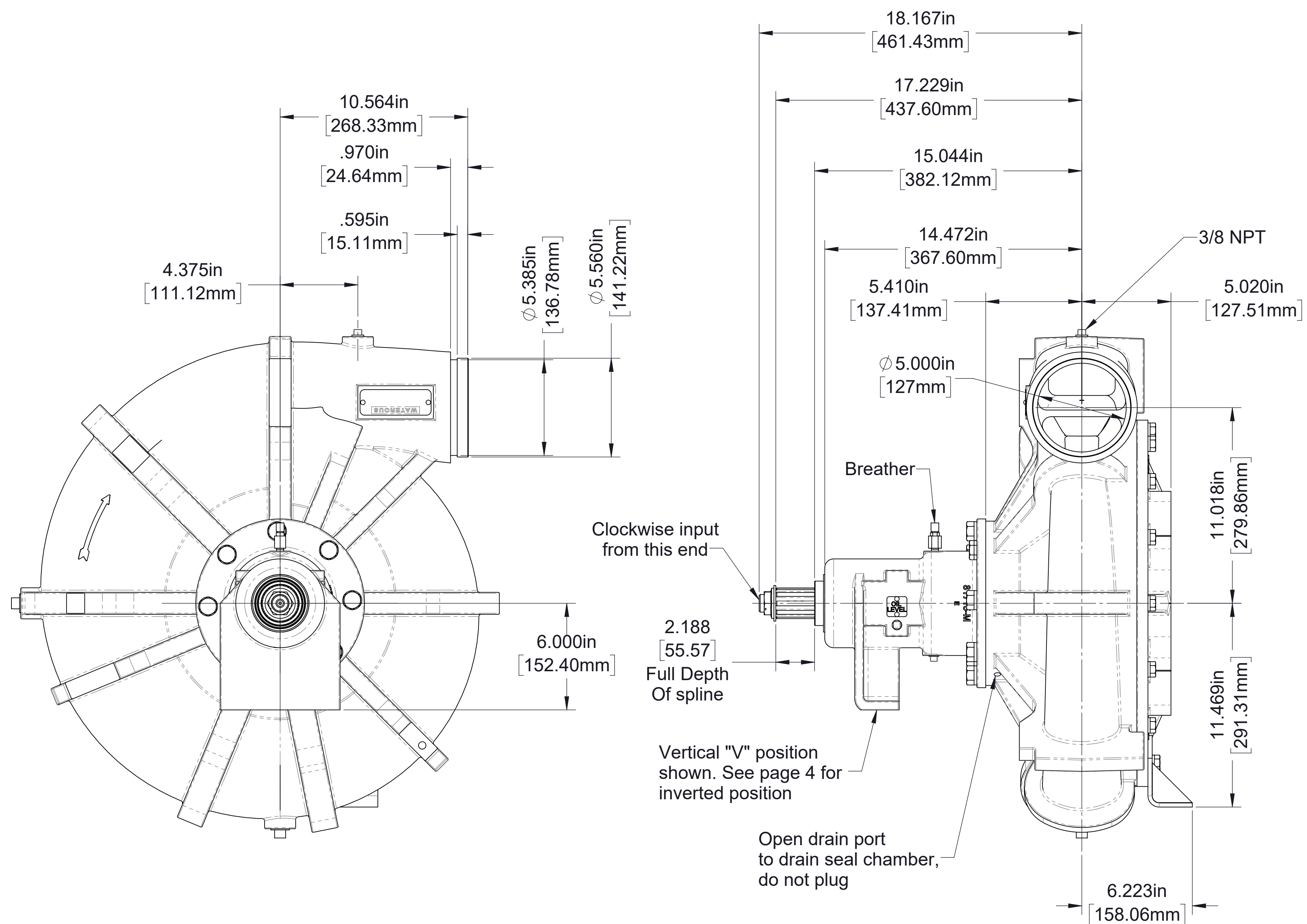


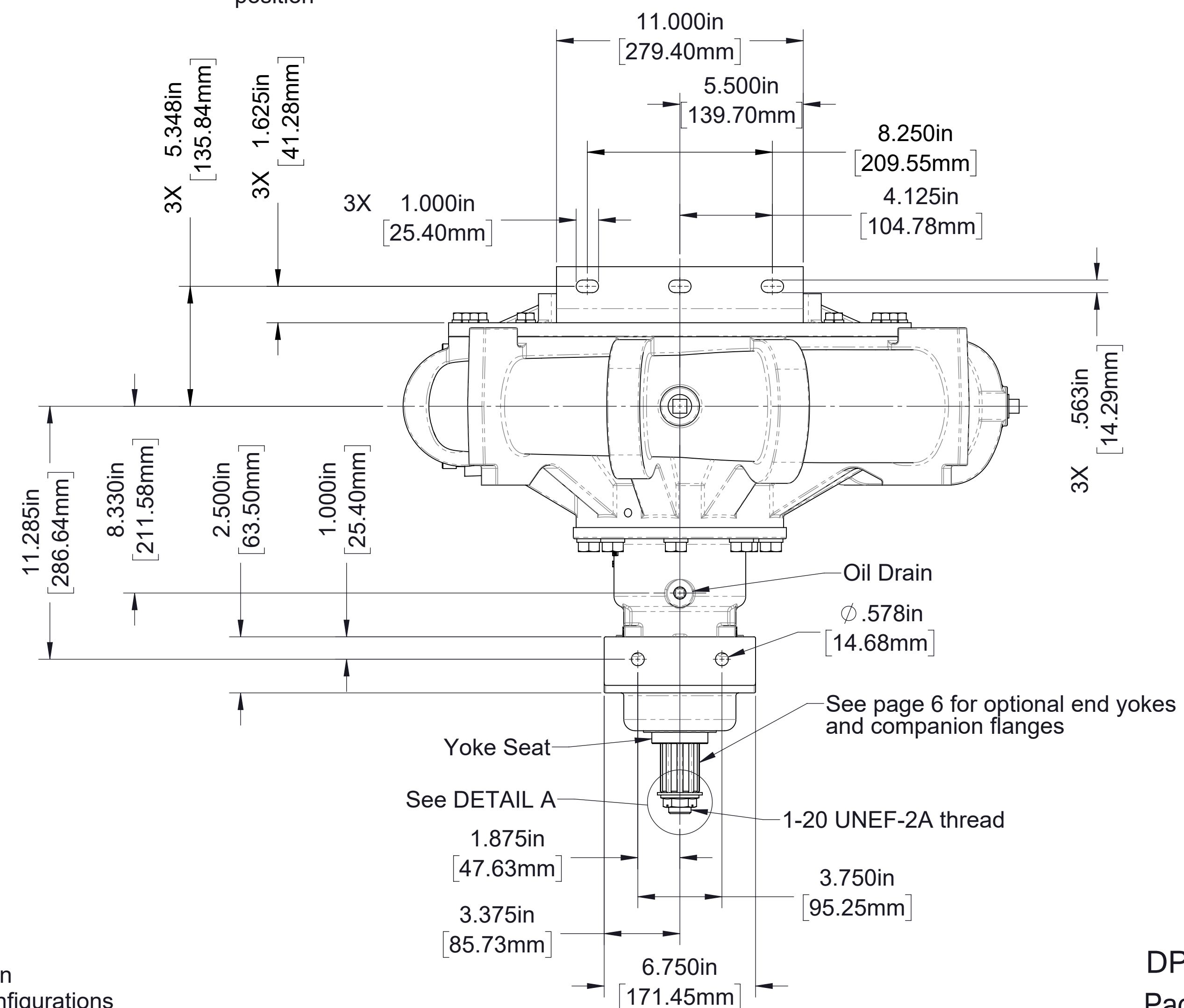
Model CRU-1 Fire Pump Dimensional Drawings

Index:

Item		See Page
Pump Dimensions	Iron	2
	Bronze	3
Mounting Bracket Positions		4
Discharge Positions		5
Optional Discharge Adapter		6
Optional End Yokes and Companion Flanges		6
Ordering Information		6

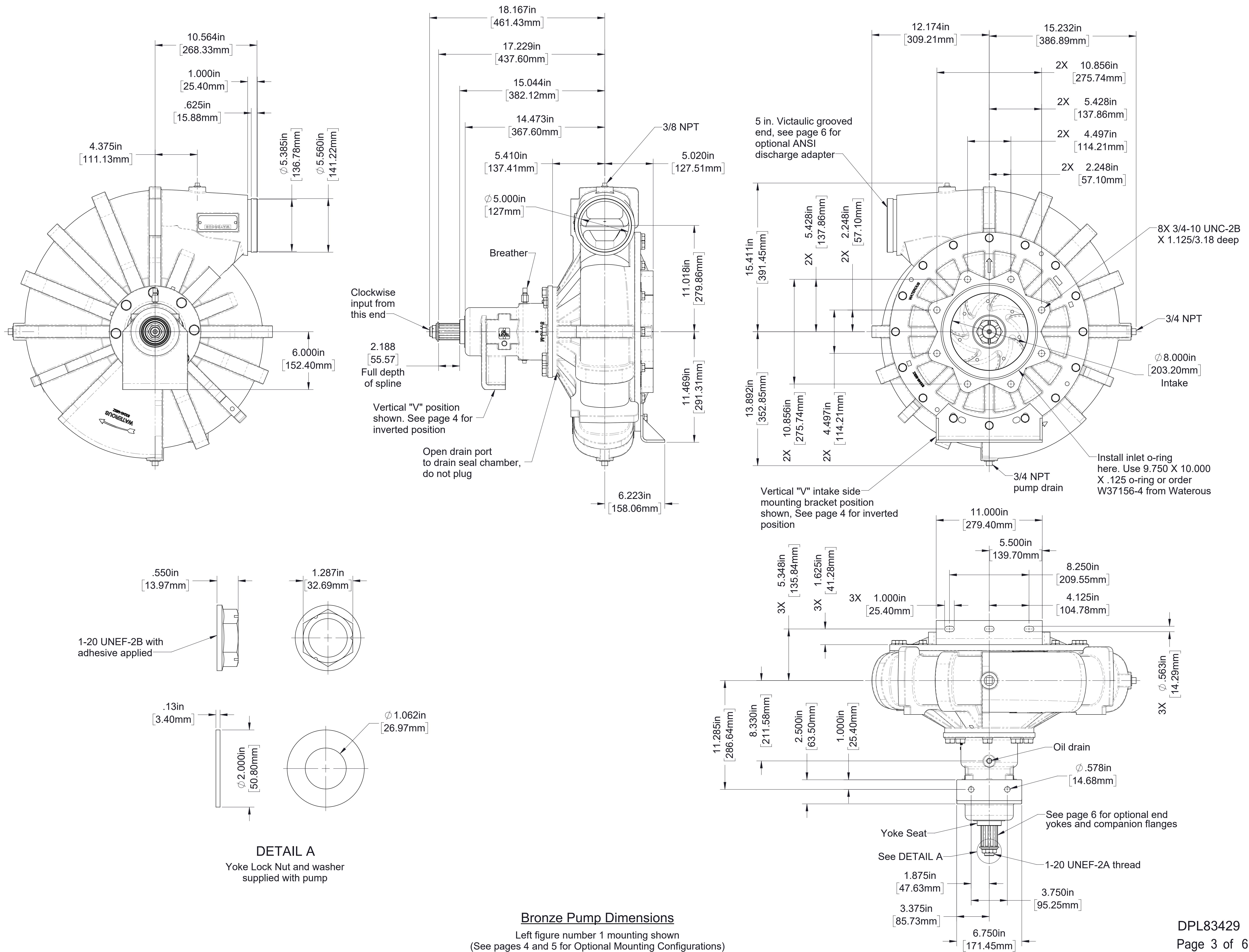


DETAIL A
Yoke lock nut and washer supplied with pump



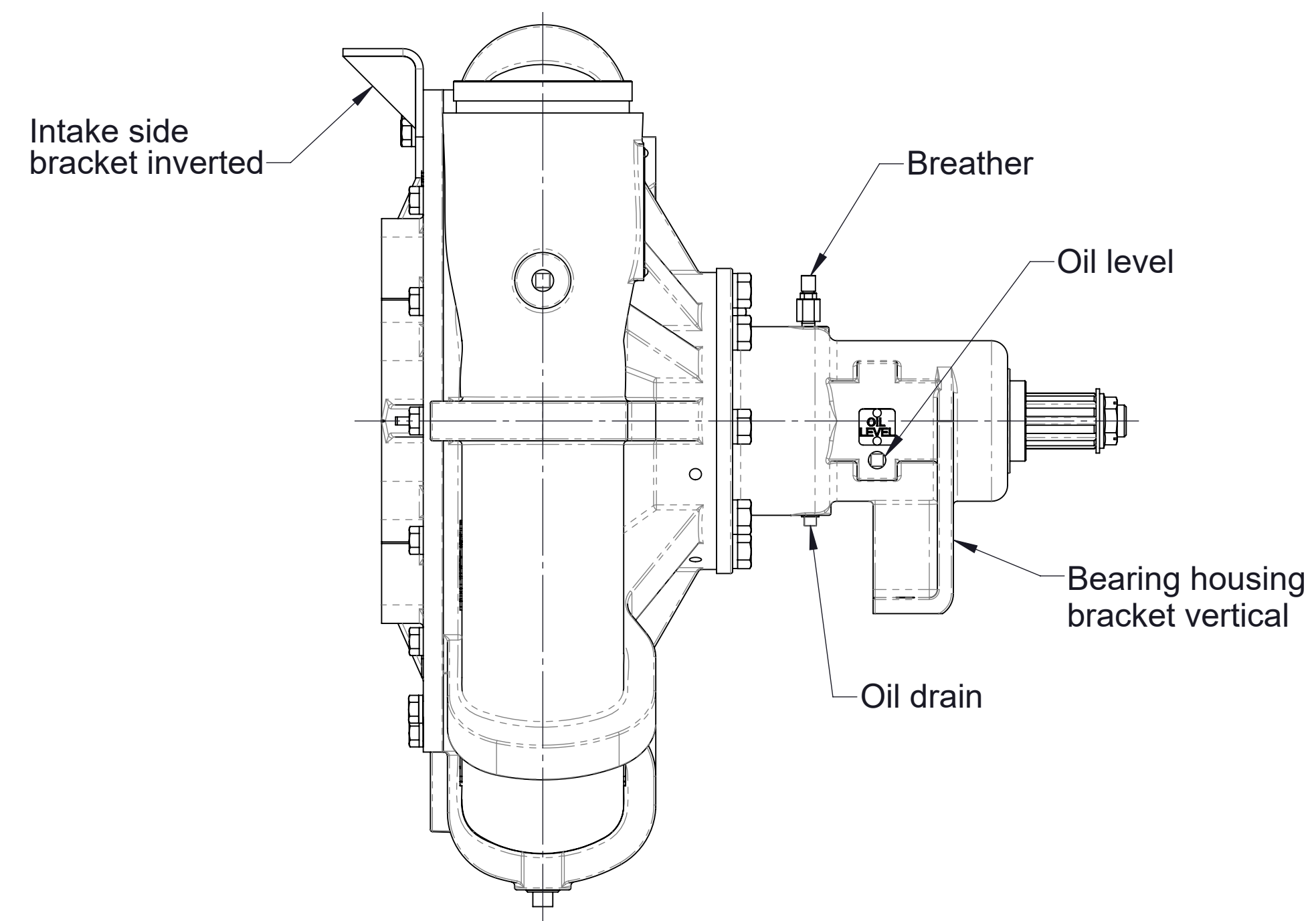
Iron Pump Dimensions

Left figure number 1 mounting shown
(See pages 4 and 5 for Optional Mounting Configurations)

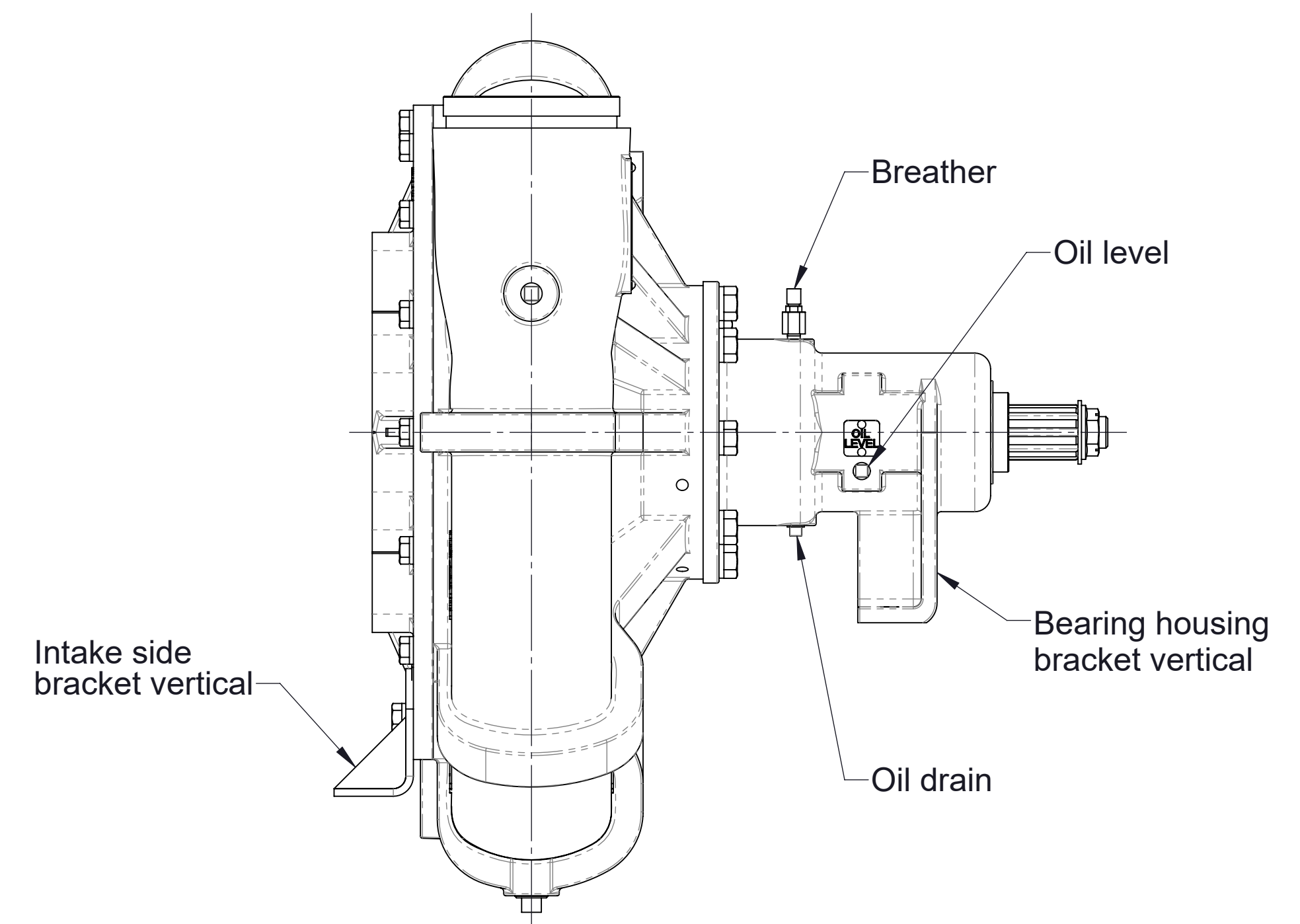


Bronze Pump Dimensions

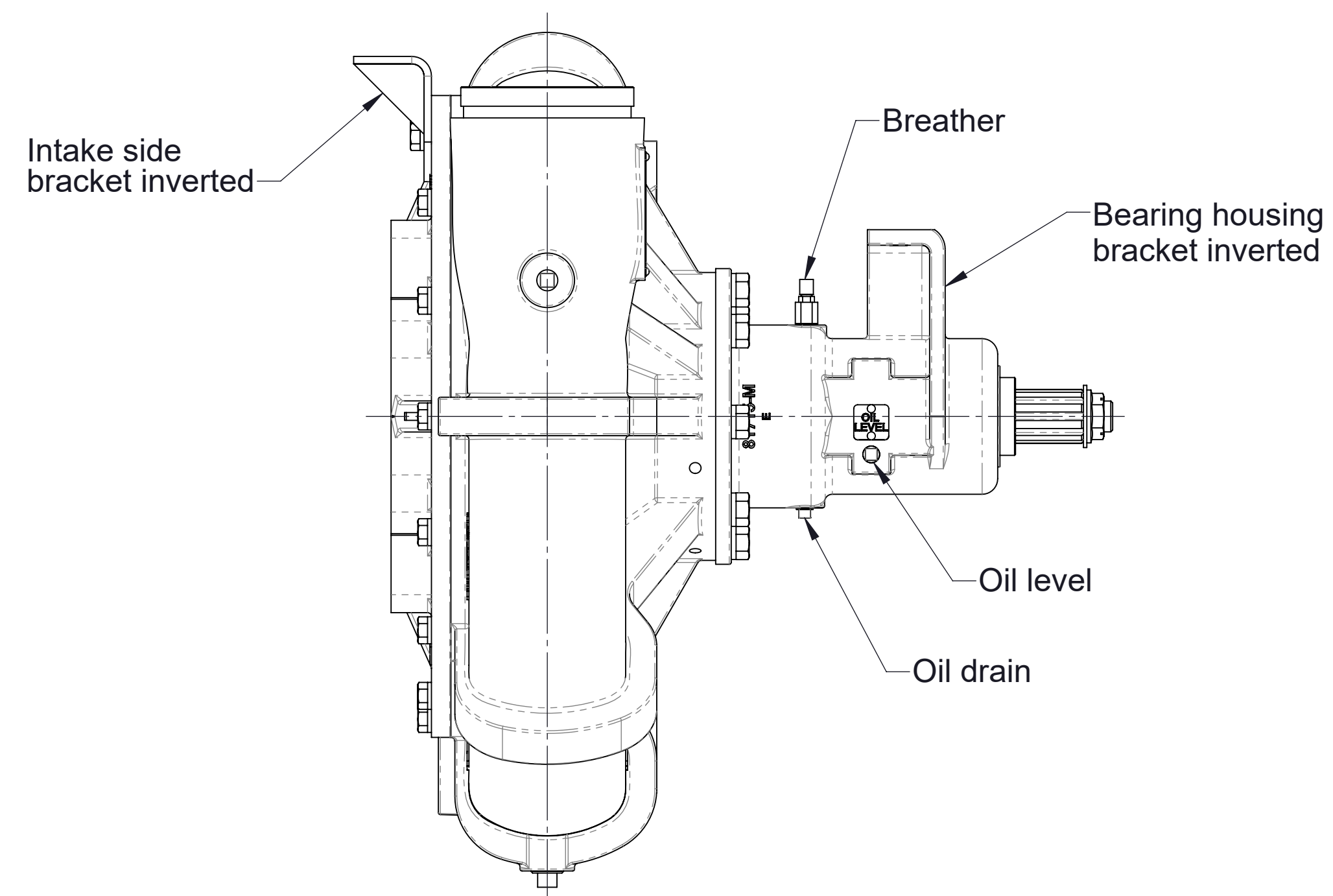
Left figure number 1 mounting shown
(See pages 4 and 5 for Optional Mounting Configurations)



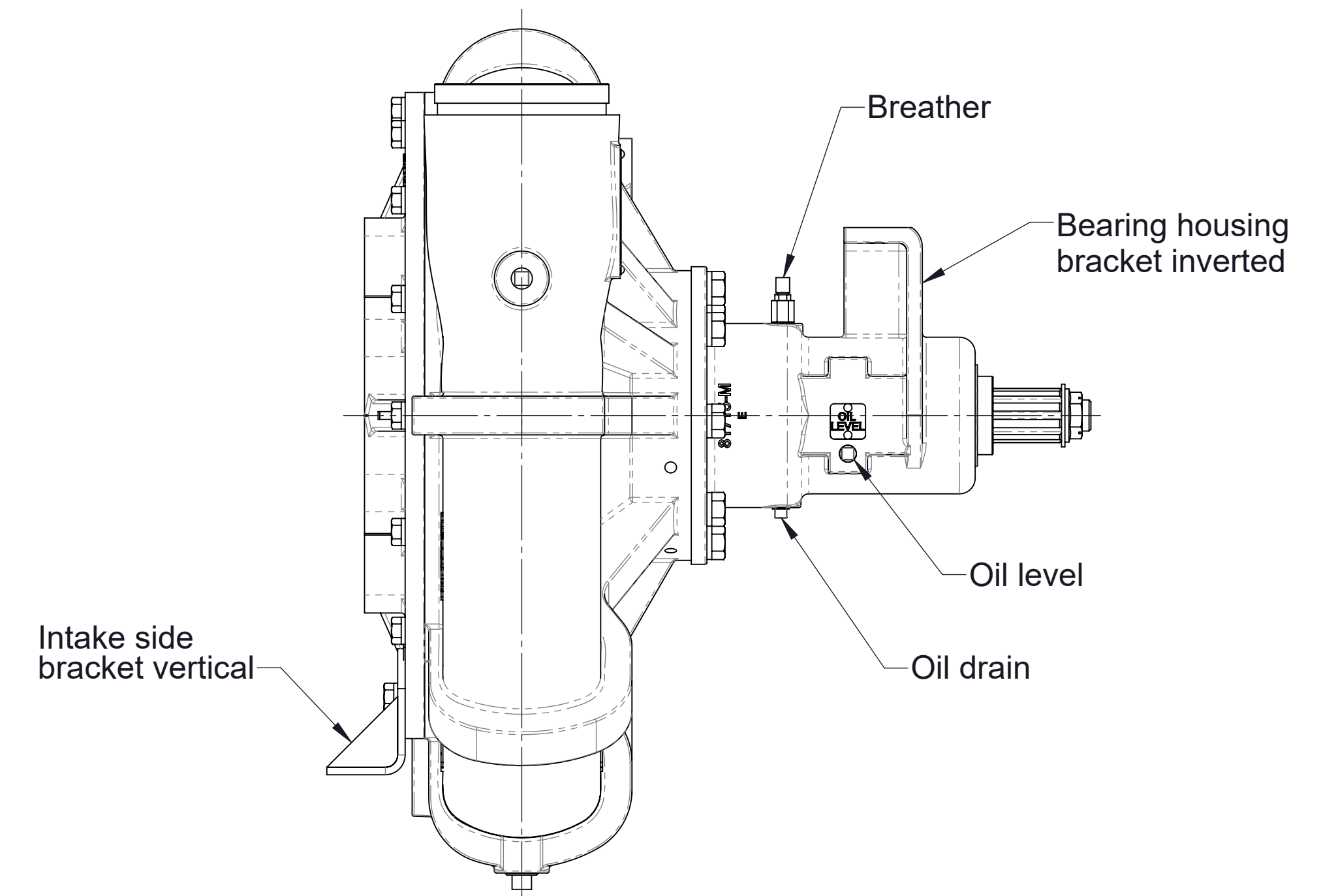
UV Inverted / Vertical



VV Vertical / Vertical



UU Inverted / Inverted



VU Vertical / Inverted

Available Mounting Bracket Positions

Note: First letter identifies intake side bracket mounting
second letter identifies bearing housing bracket mounting.

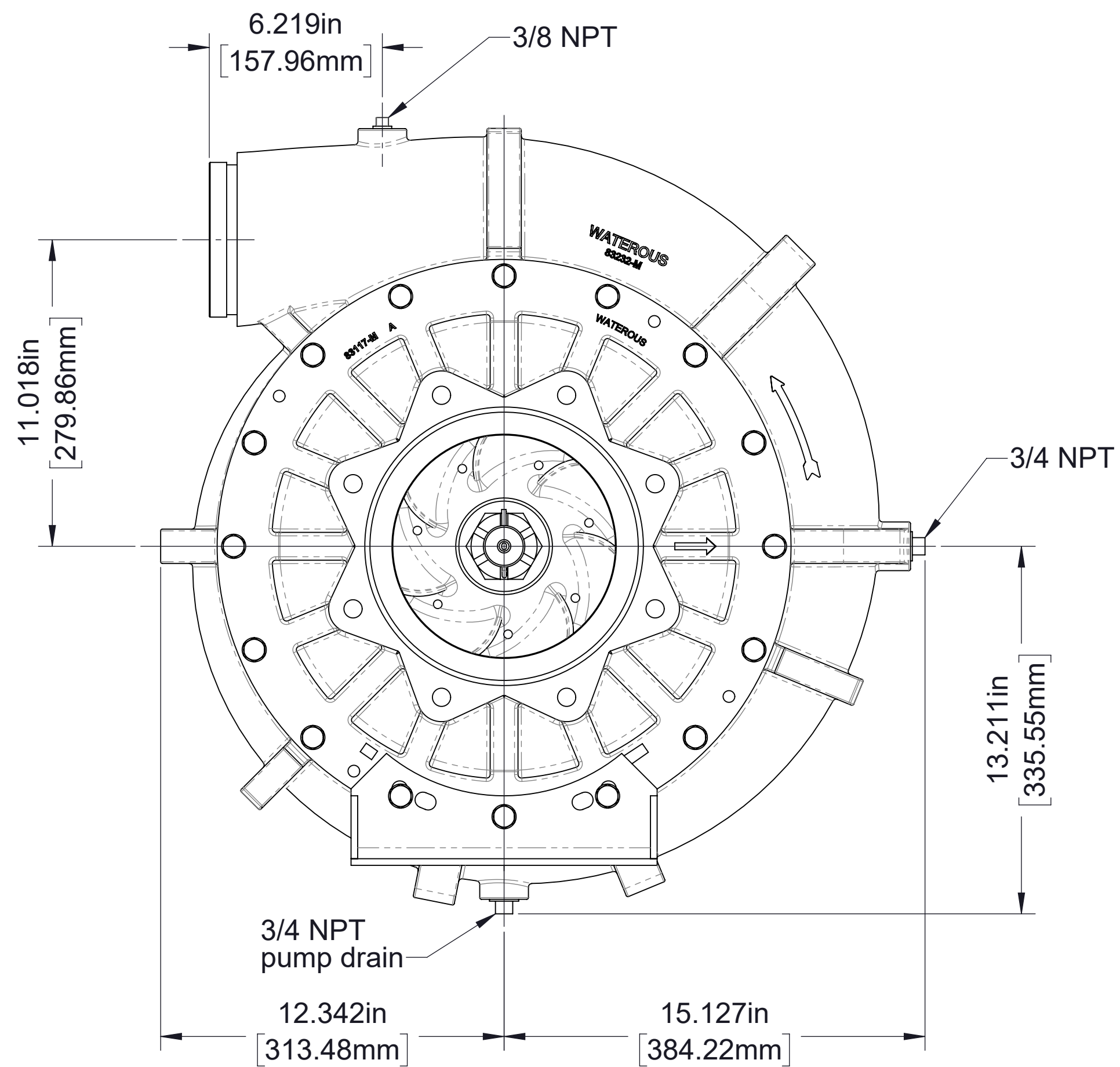


Figure 1, Left, Iron Pump

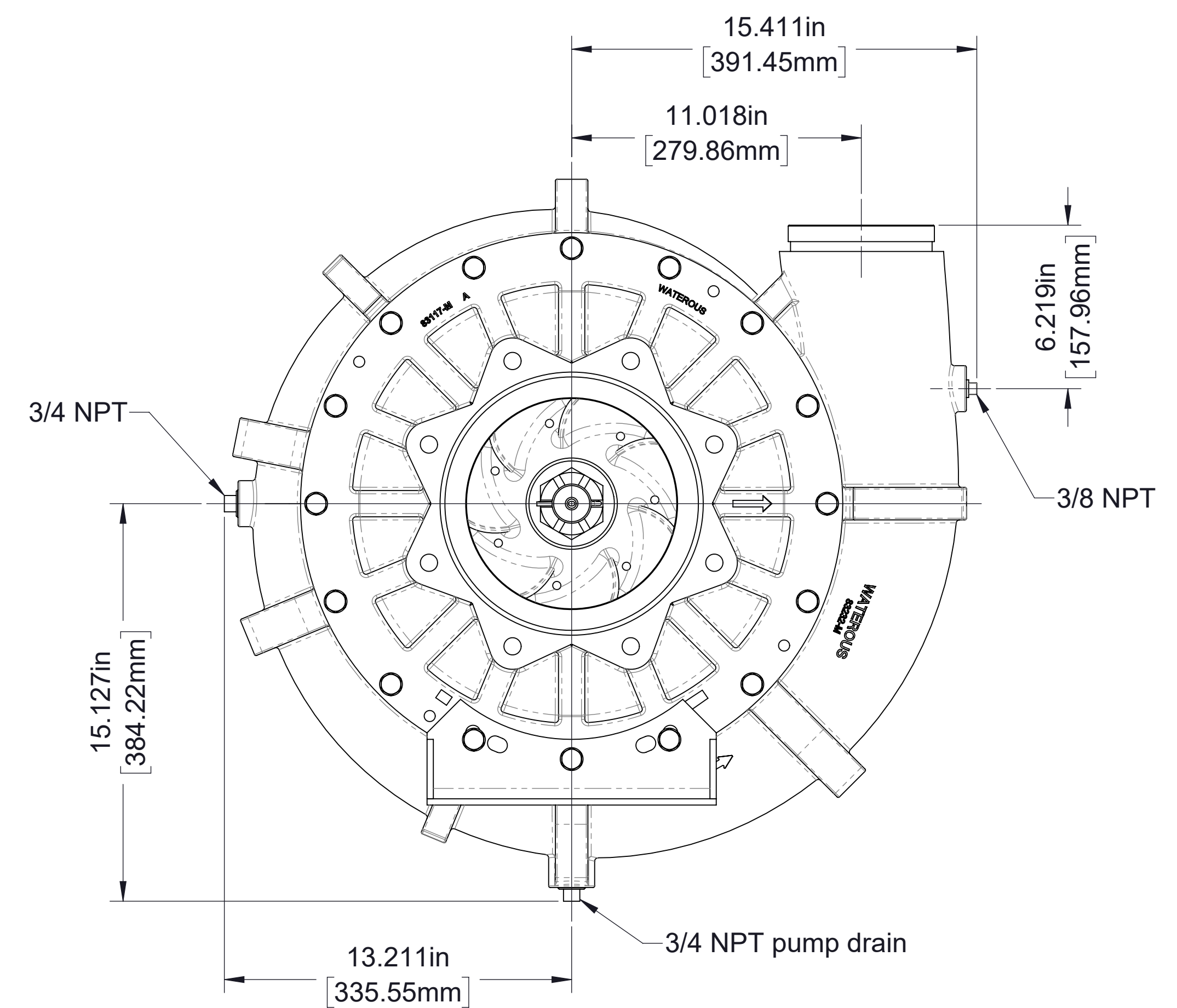


Figure 2, Up, Iron Pump

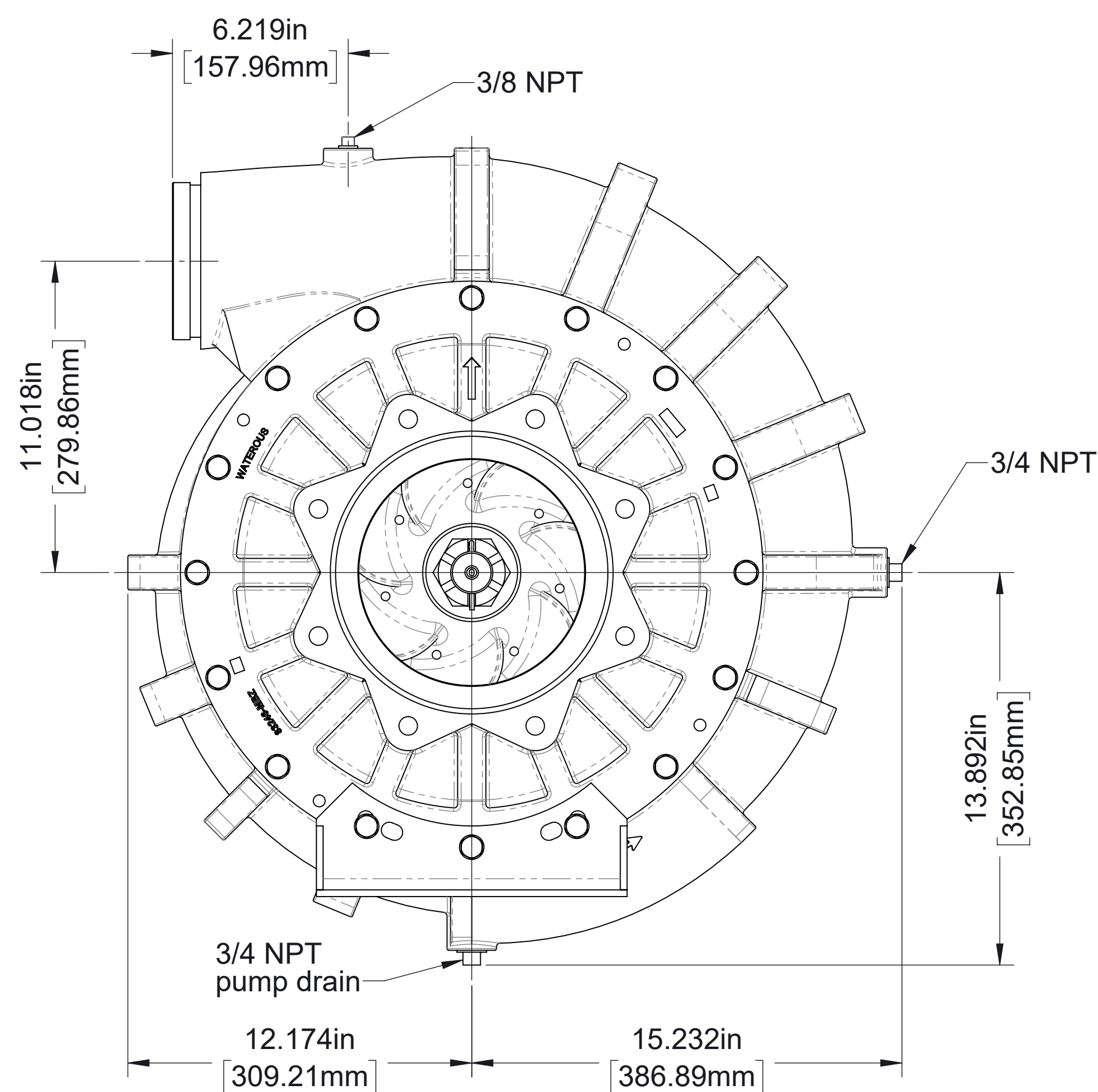


Figure 1, Left, Bronze Pump

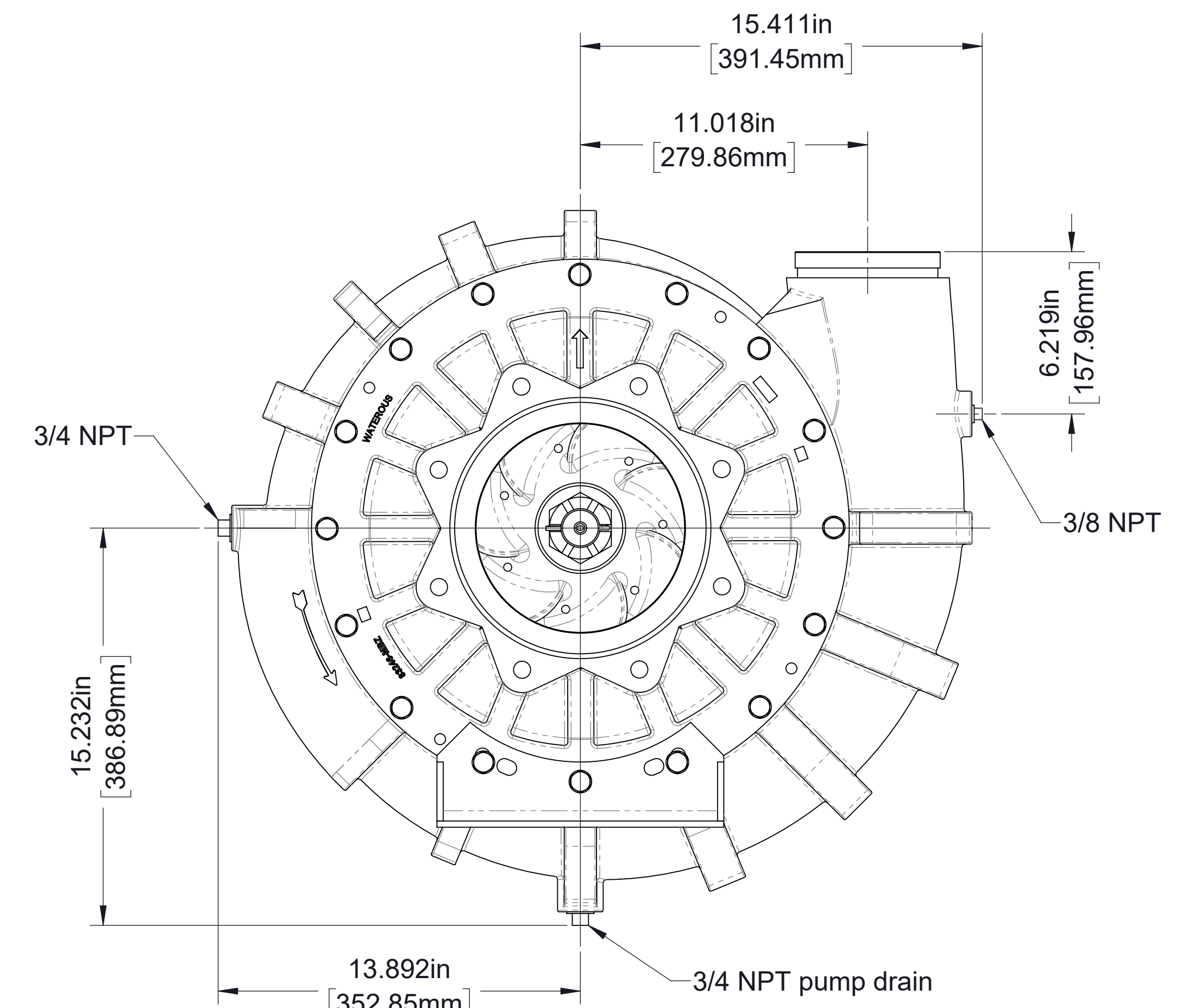
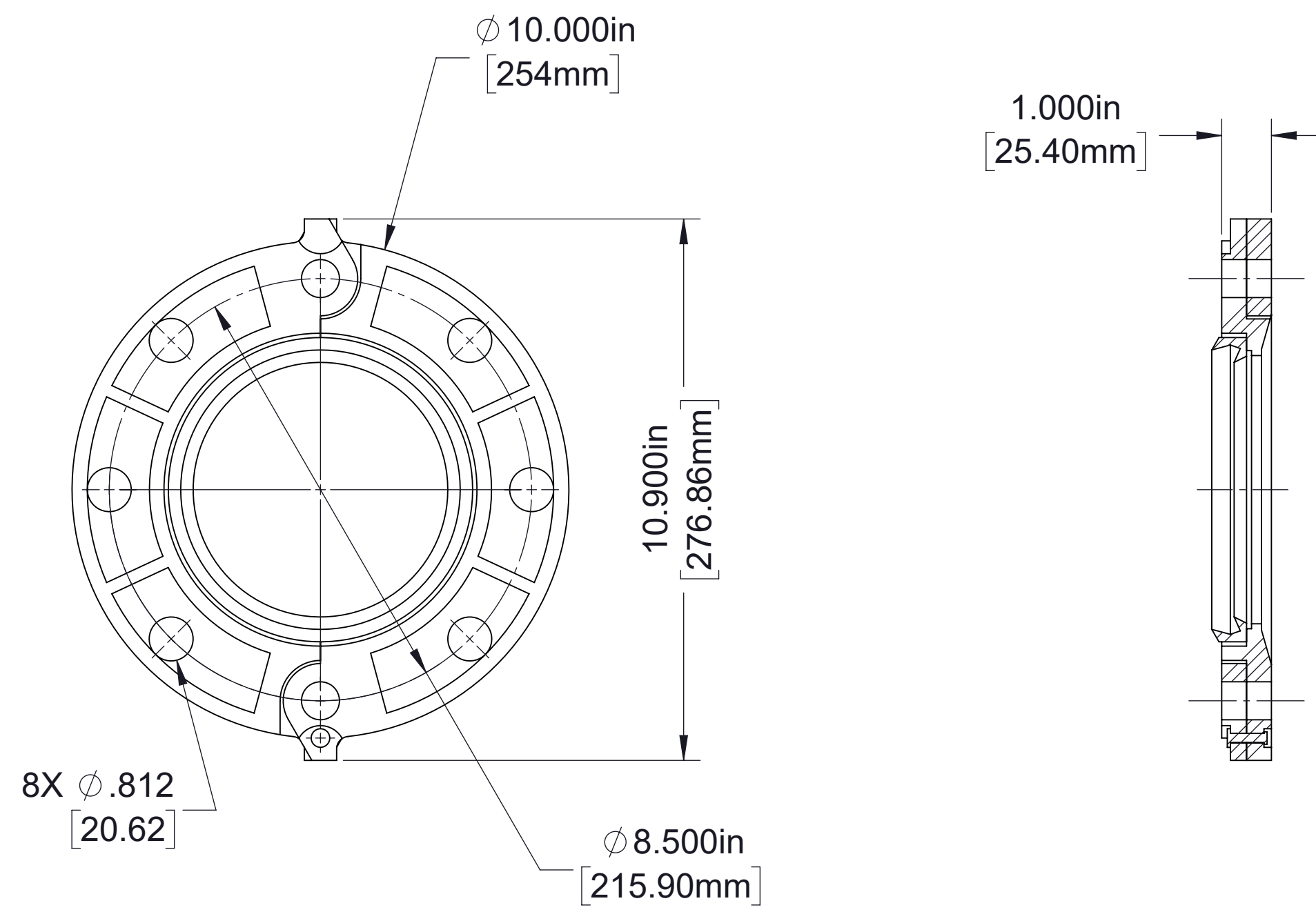


Figure 2, Up, Bronze Pump



**Optional 5 in. Victaulic to 5 in. ANSI
Flange Discharge Adapter**

Input Shaft Spline	Optional End Yokes and Companion Flanges See DPL83861 for Dimensions		
	Type	Series	Part Number
1-3/4-10 SAE	End Yoke	1350/1410	V 3861-1
		1550	V 3077
		SPL 90	V 3761
	Companion Flange	1610	61320
		1480/1550	61319

Ordering information

When ordering supply the following information:

1. Basic assembly number: 83429
2. Suffixes which indicate mounting bracket positions and discharge position:

