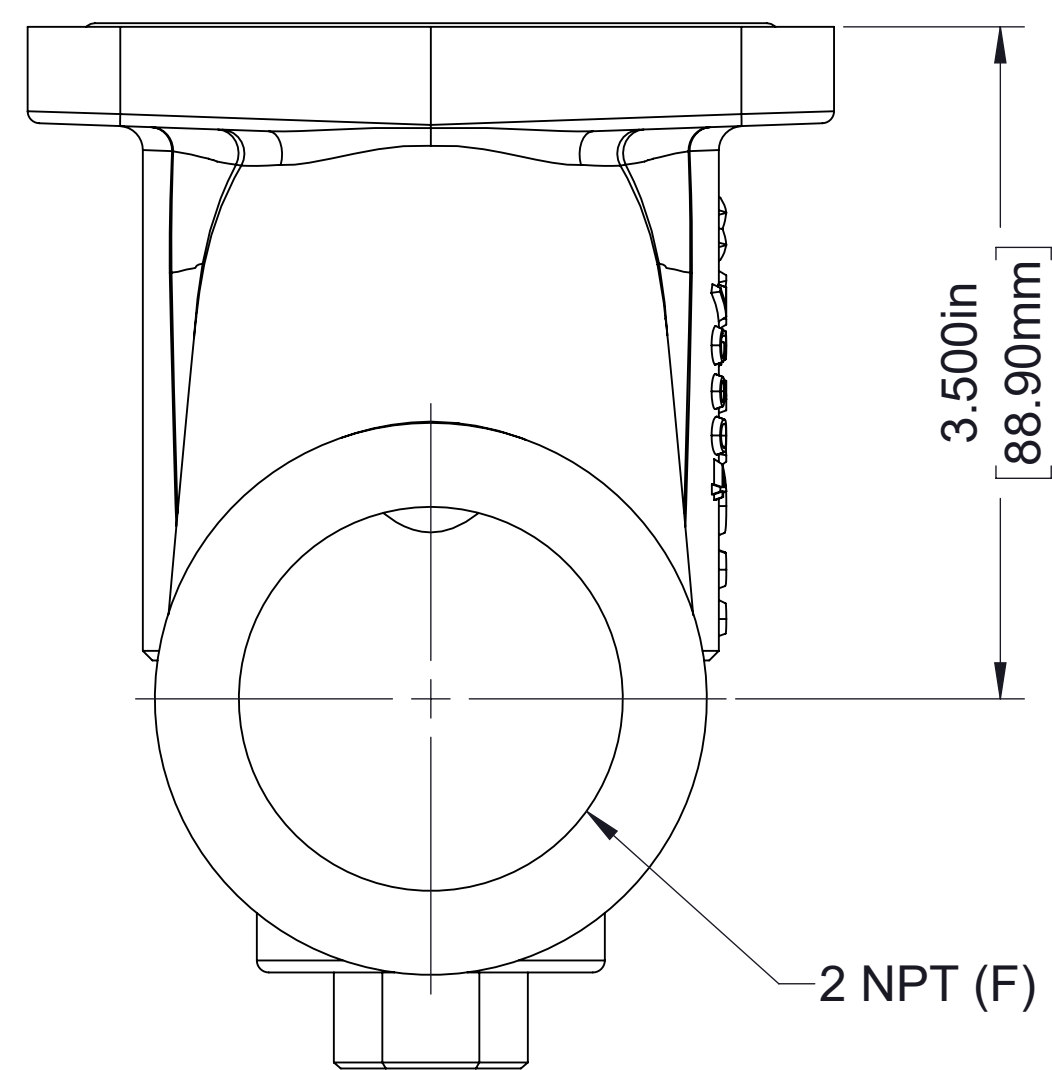
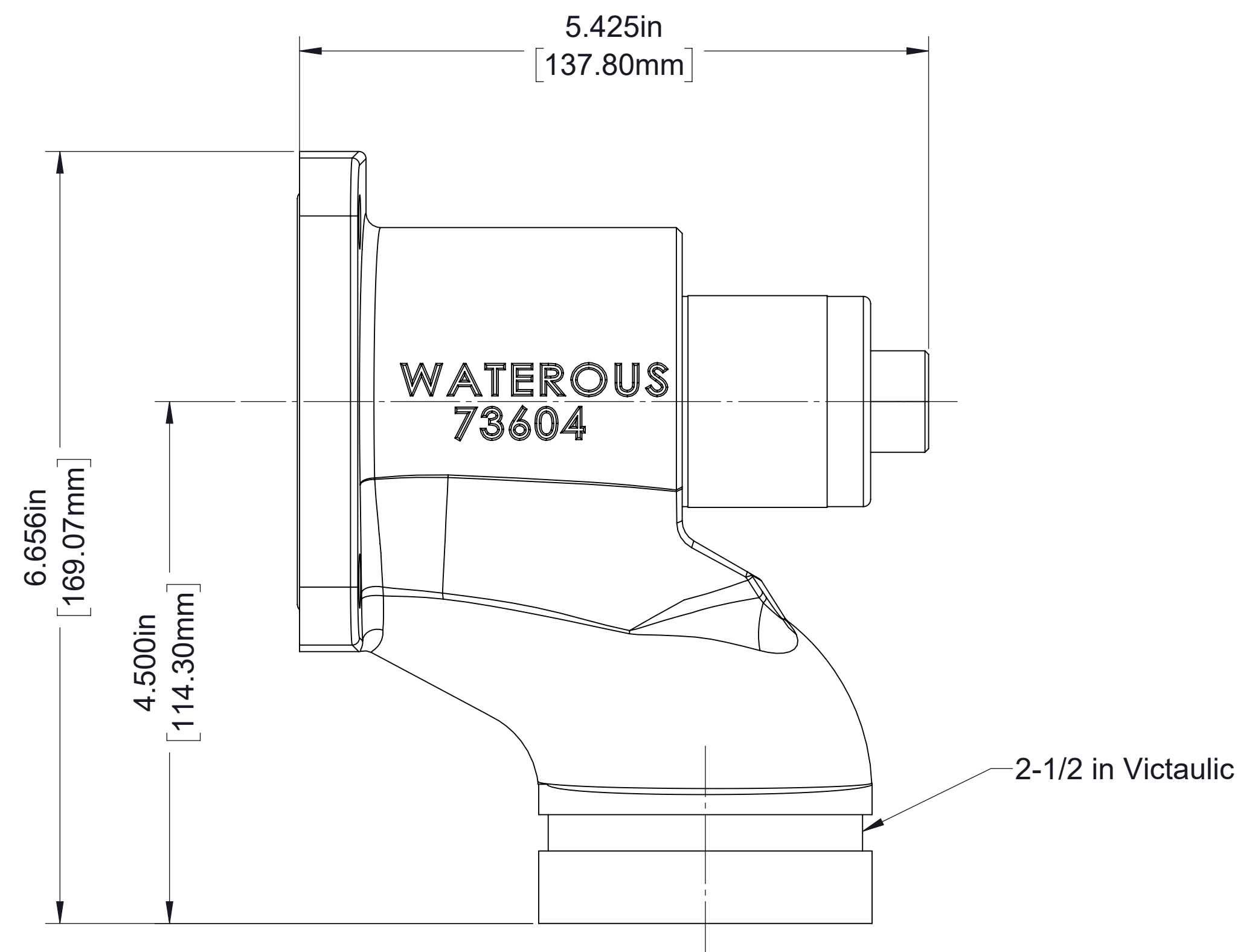
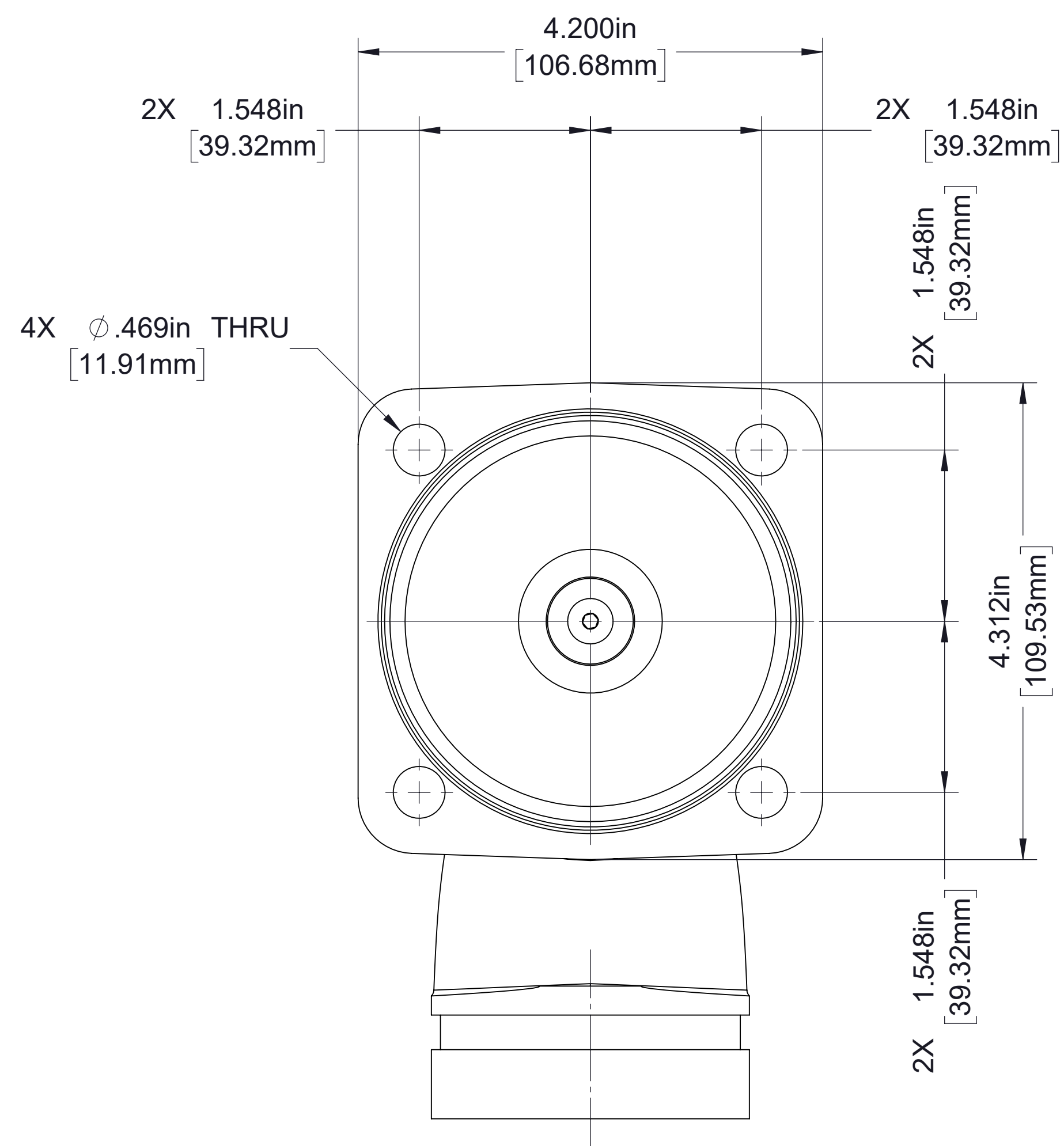


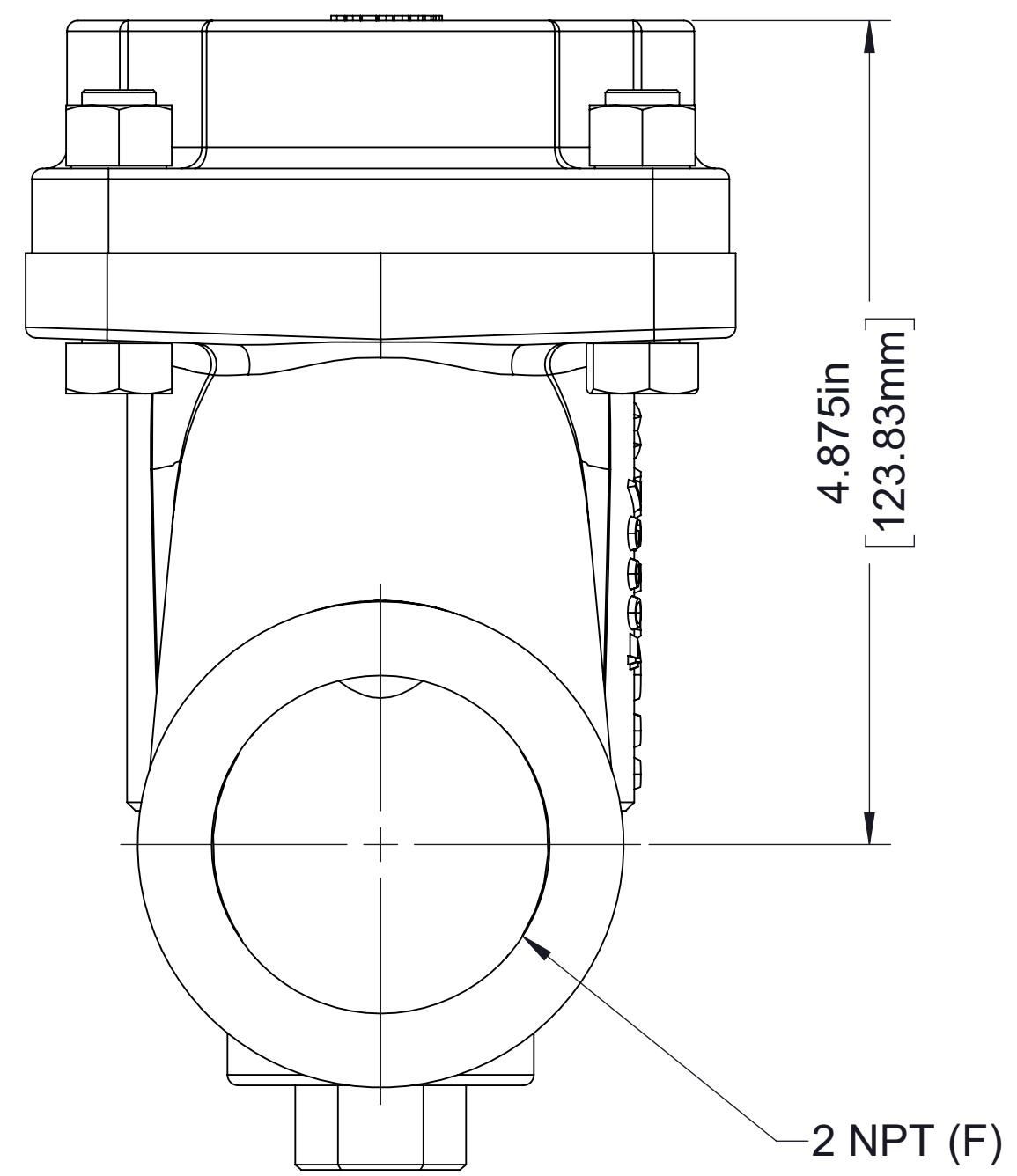
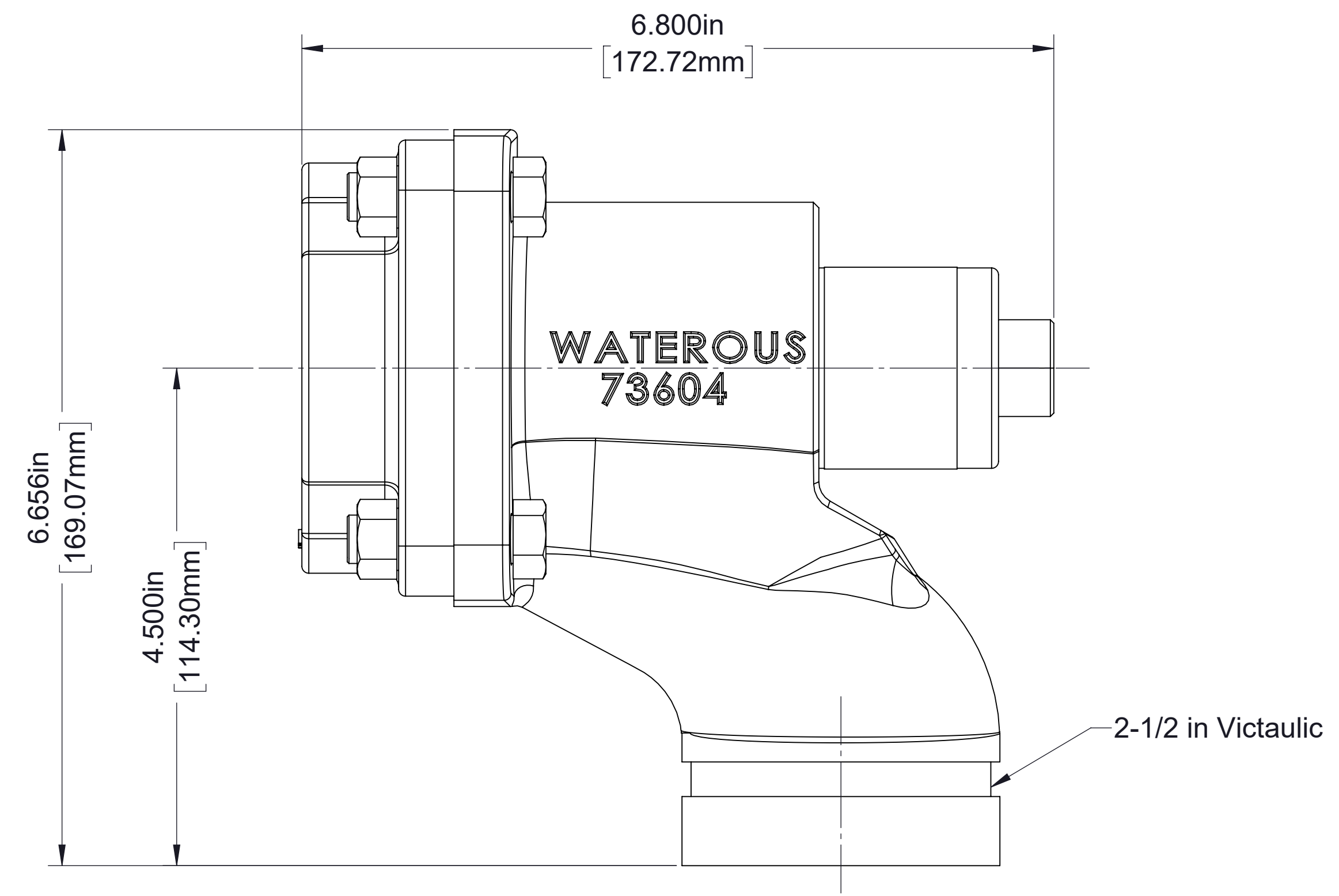
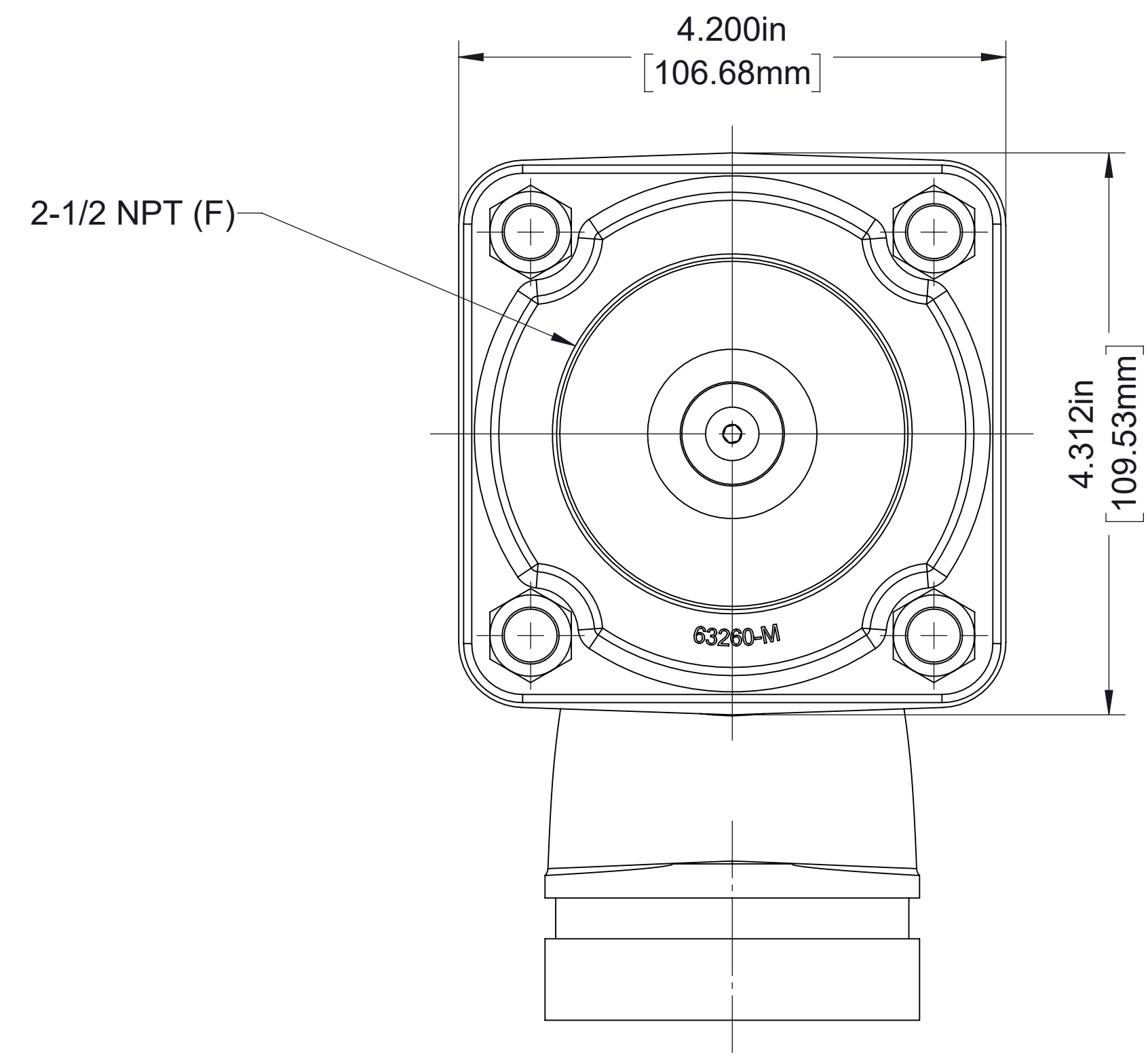
**Non-Piloted Intake Relief Valve Dimensional Drawing**

Valve			See Page
Outlet	Inlet	Mounting	
OD: 2-1/2 in Victaulic ID: 2 in NPT (F)	Waterous 4-Bolt Flange	Intake Nipple Flange or Intake Fitting Side Pad (On Pump)	2
	2-1/2 in NPT (F)	Separately	3



### Mounted on Pump

Outlet: 2-1/2 in Victaulic OD, 2 NPT (F) ID  
 Inlet: Waterous 4-Bolt Flange



**Separately Mounted**

Outlet: 2-1/2 in Victaulic OD, 2 NPT (F) ID  
 Inlet: 2-1/2 NPT (F)