



WATEROUS COMPANY
SOUTH ST. PAUL, MINNESOTA
SERVICE PARTS LIST

Revised: 3/92

Plate(s) Revised: 3/92

GEAR CASE ASSEMBLY, HEAVY DUTY T

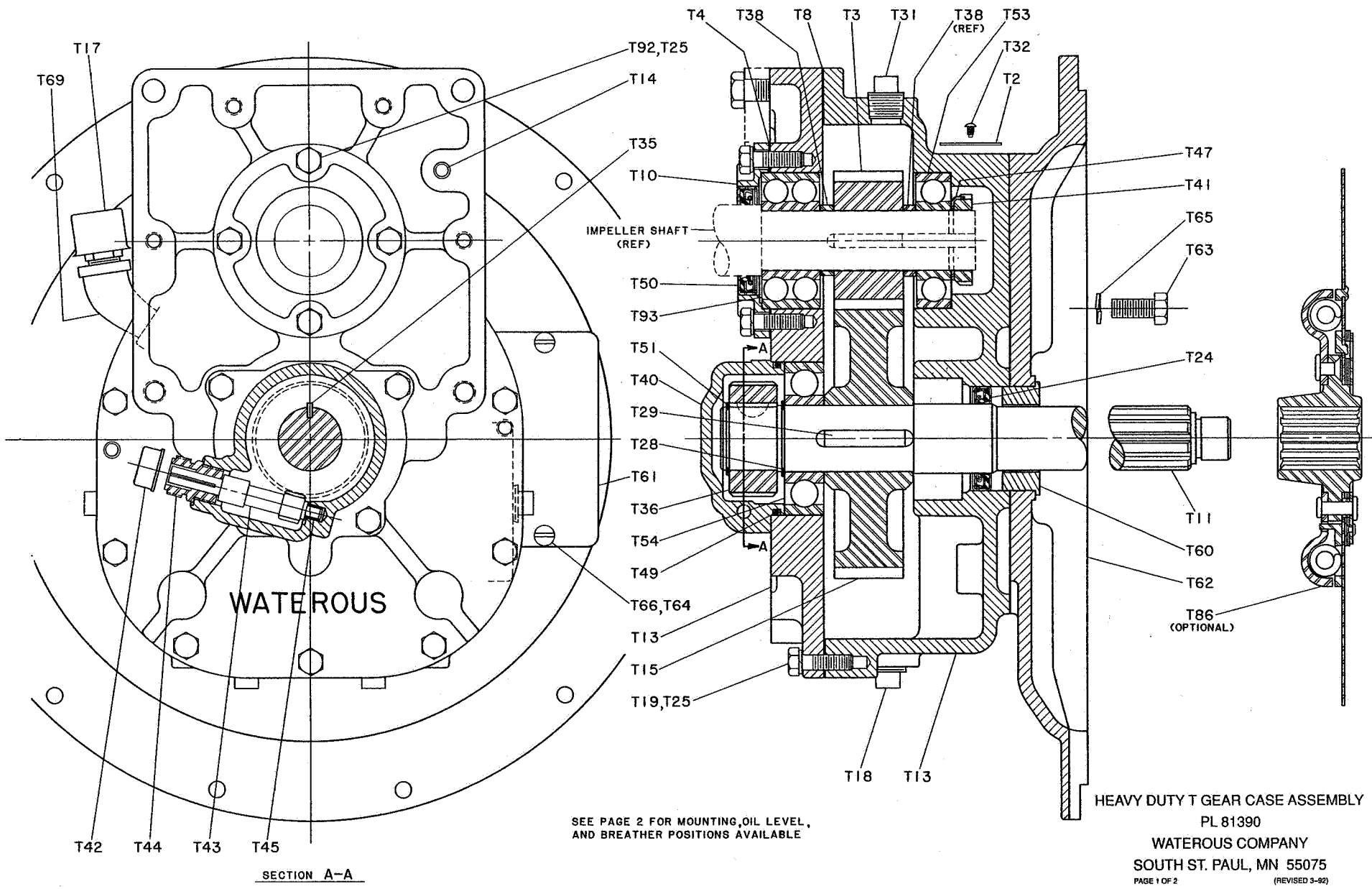
REF NO.	DESCRIPTION	REF NO.	DESCRIPTION
T2	Serial plate	T40	Tachometer gear housing
T3	Driven gear	T41	Bearing lock nut
T4	Housing gasket, oil seal	T42	Tachometer cap or plug
T8	Bearing housing gasket	T43	Tachometer driven gear
T10	Oil seal housing	T44	Tachometer sleeve
T11	Drive shaft	T45	Tachometer bushing
T13	Gear case assembly	T47	Bearing lock washer
T14	Dowel pin, 3/8 x 1 in.	T49	O-ring packing
T15	Drive gear	T50	Oil seal
T17	Breather	T51	Snap ring
T18	Magnetic drain plug, 1/2 in.	T53	Ball bearing, single row (max. capacity)
T19	Cap screw, 3/8-16 x 1-1/4 in.	T54	Ball bearing, single row
T21	Cap screw, 1/2-13 x 1-1/2 in.	T60	Bellhousing adapter bushing
T22	Hex hd bolt, 1/2-20 x 2-1/2 in.	T61	Access cover
T23	Hex nut, 1/2-20	T62	Bellhousing adapter
T24	Oil seal	T63	Cap screw, 7/16-14 x 1-1/4 in.
T25	Lock washer, 3/8 in.	T64	Lock washer, 1/4 in
T27	Lock washer, 1/2 in.	T65	Lock washer, 7/16 in.
T28	Snap ring	T66	Rd hd screw, 1/4-20 x 3/8 in.
T29	Square key, 3/8 x 1-3/4 in.	T67	Oil level plate
T31	Sq hd pipe plug, 1/2 in.	T69	Pipe elbow, 45°, 1/2 in.
T32	Rd hd drive screw, No. 6 x 1/4 in.	T86	Drive plate (optional)
T35	Woodruff key	T88	Cap screw, 1/2-20 x 3 in.
T36	Tachometer drive gear	T92	Cap screw, 3/8-16 x 1 in.
T38	Driven gear spacer	T93	Ball bearing, double row

PLEASE NOTE

WHEN ORDERING PARTS PLEASE SUPPLY PUMP SERIAL NUMBER

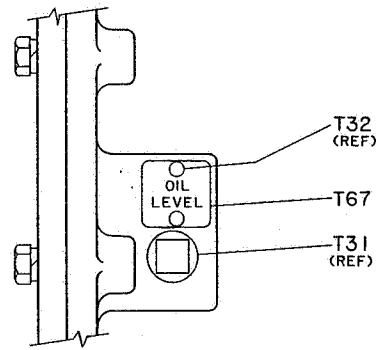
PL81390

Page 1 of 1

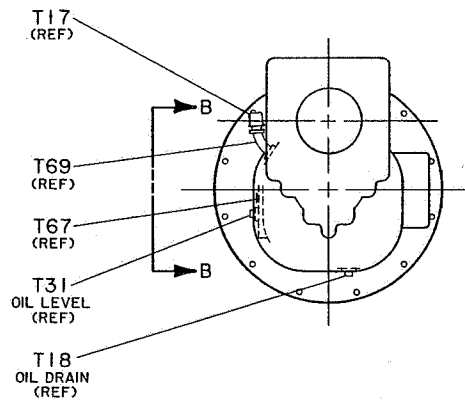


SEE PAGE 2 FOR MOUNTING, OIL LEVEL,
AND BREATHER POSITIONS AVAILABLE

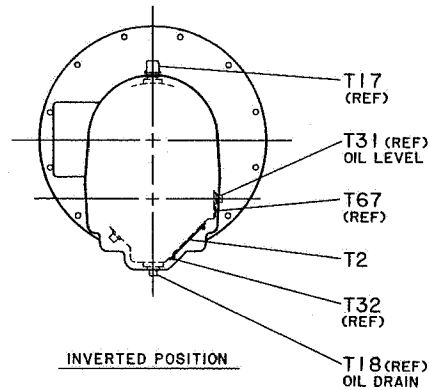
HEAVY DUTY T GEAR CASE ASSEMBLY
PL 81390
WATEROUS COMPANY
SOUTH ST. PAUL, MN 55075
PAGE 1 OF 2 (REVISED 3-92)



VIEW B-B

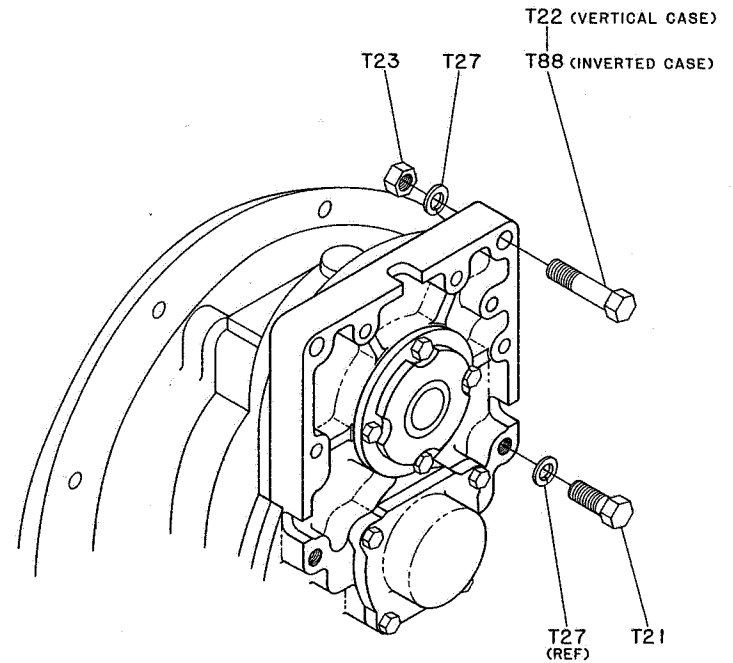


VERTICAL POSITION



INVERTED POSITION

OIL LEVEL AND BREATHER POSITIONS



PUMP MOUNTING HARDWARE

HEAVY DUTY T GEAR CASE ASSEMBLY
 PL 81390
 WATEROUS COMPANY
 SOUTH ST. PAUL, MN 55075