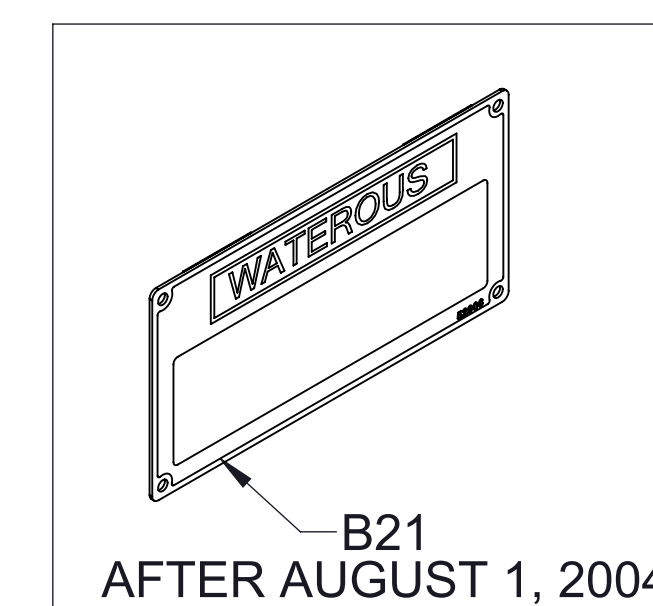
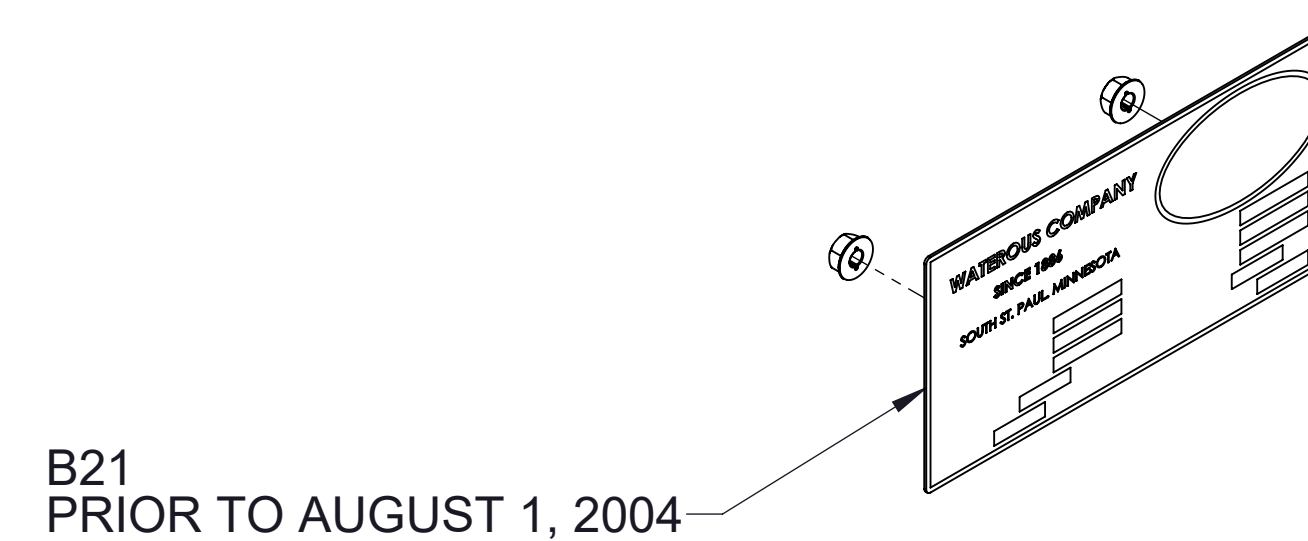
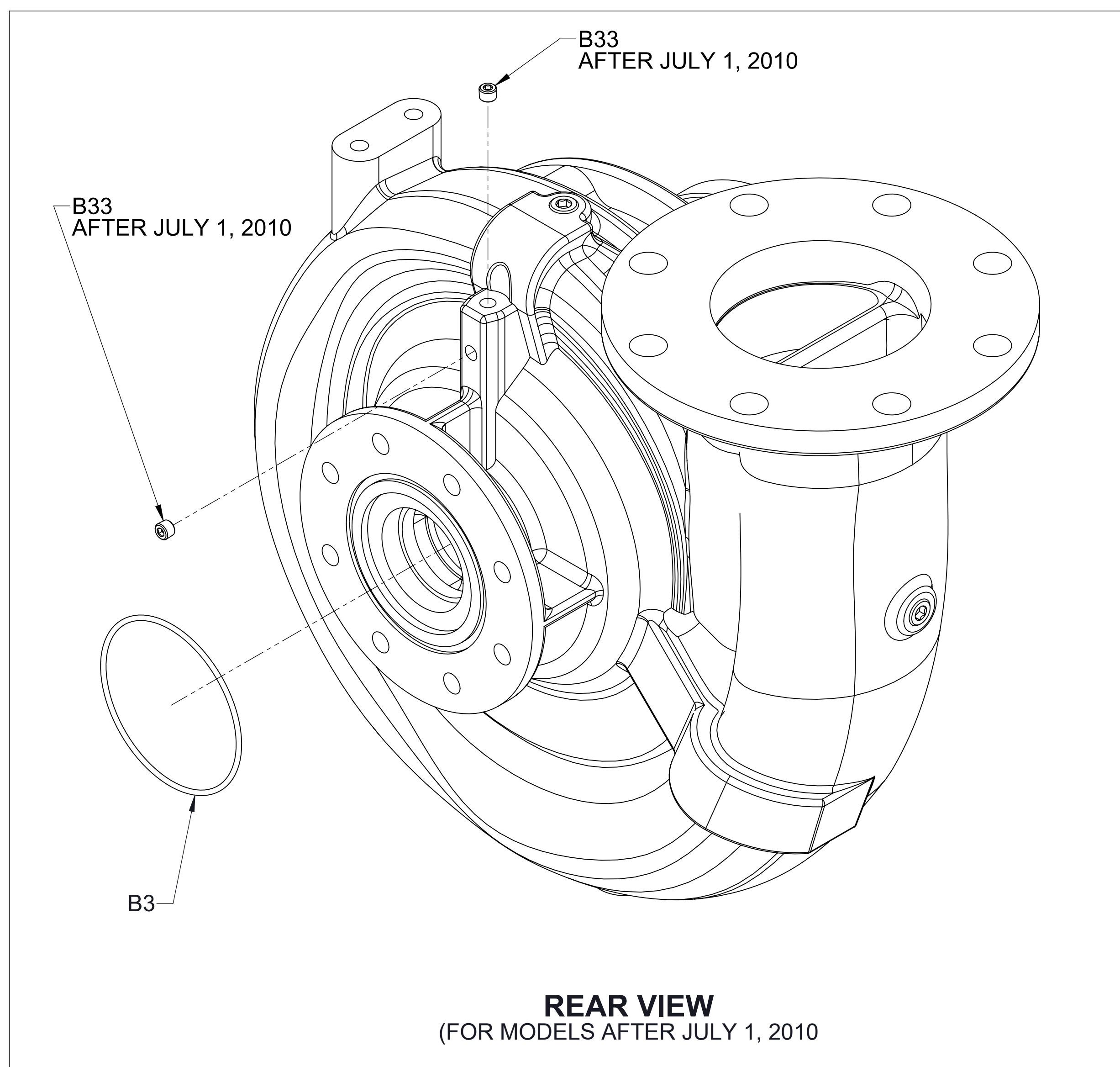
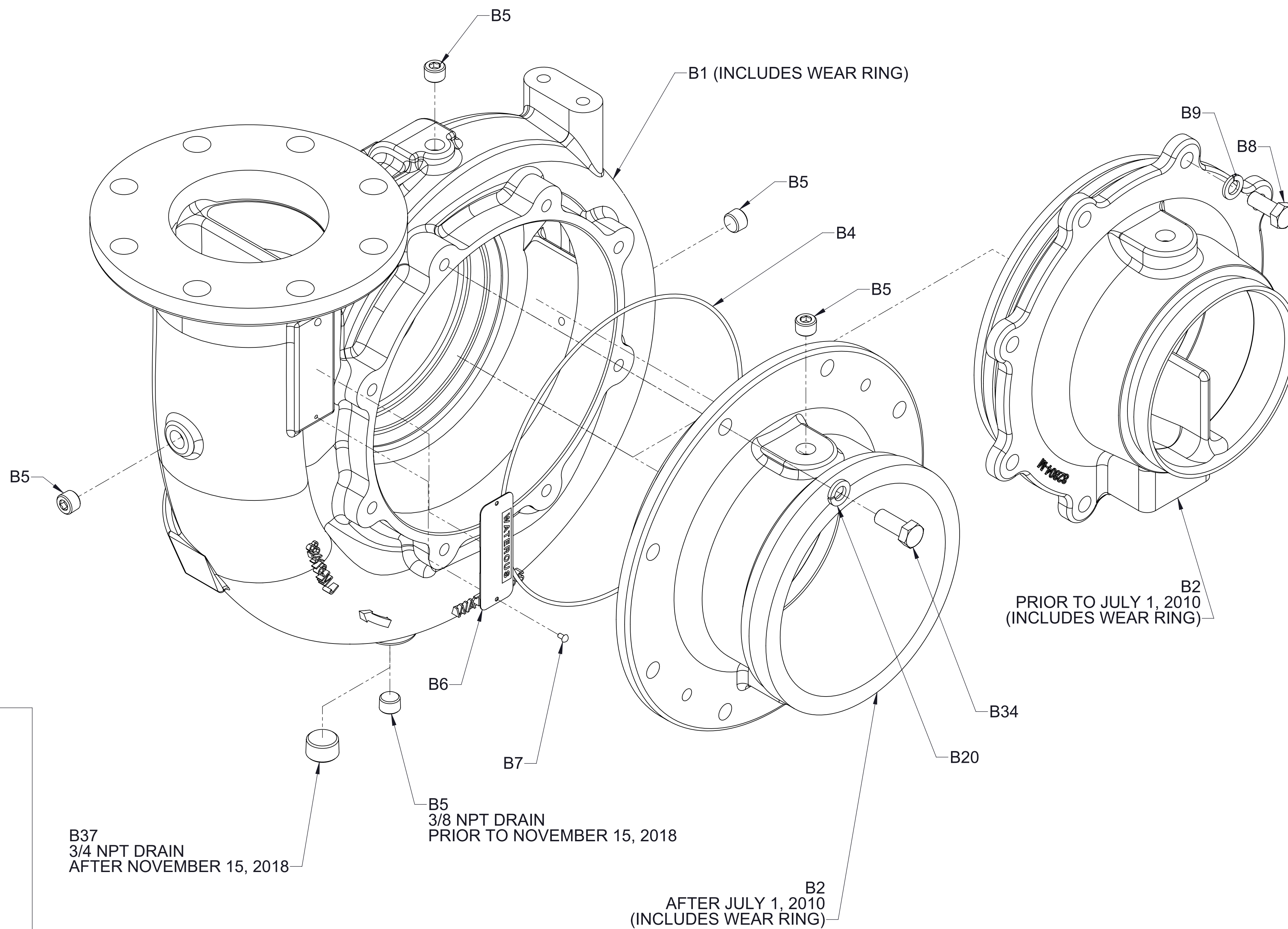


Model S100 Pump Body Service Parts List (With Victaulic Intake)

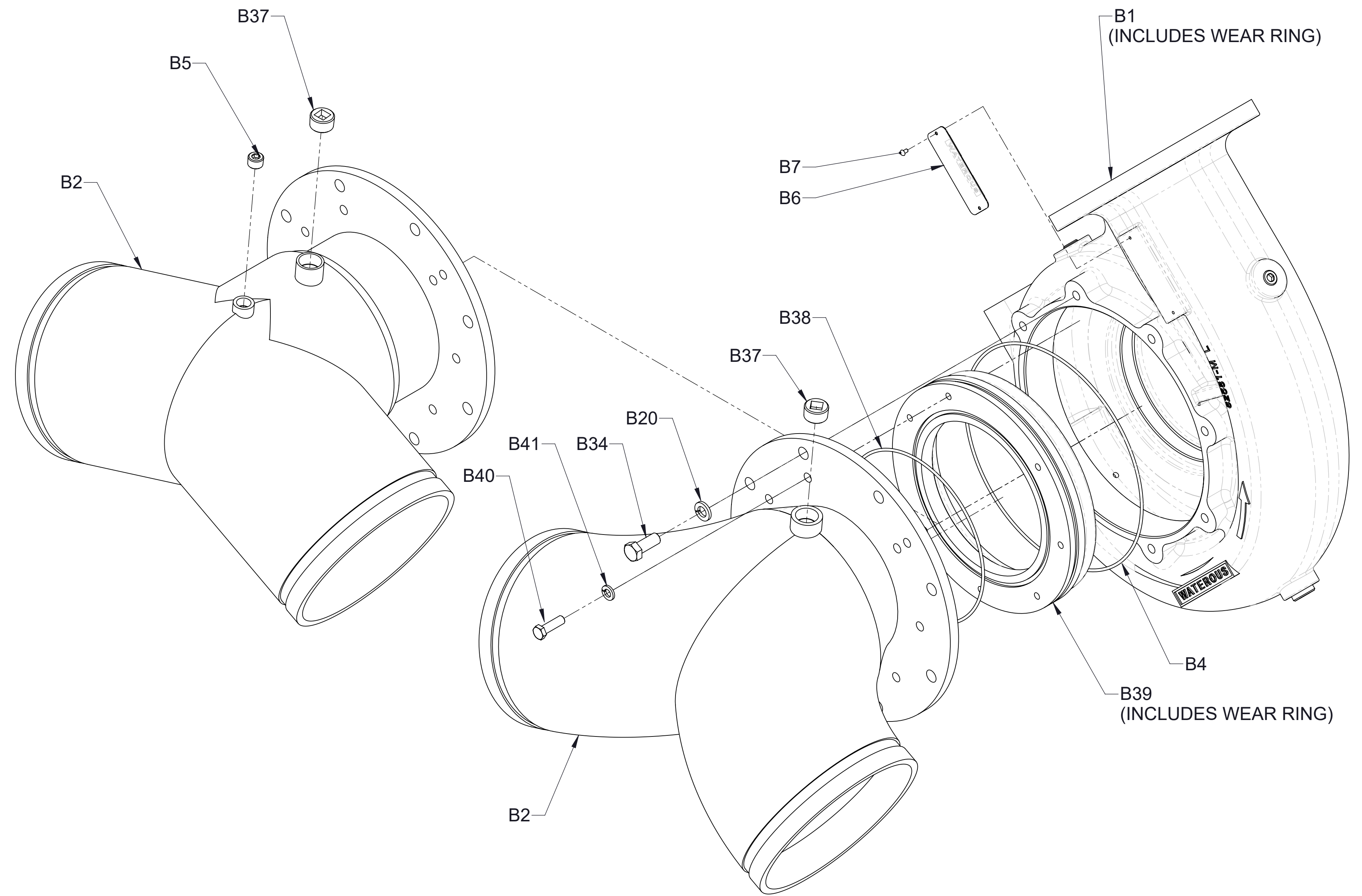
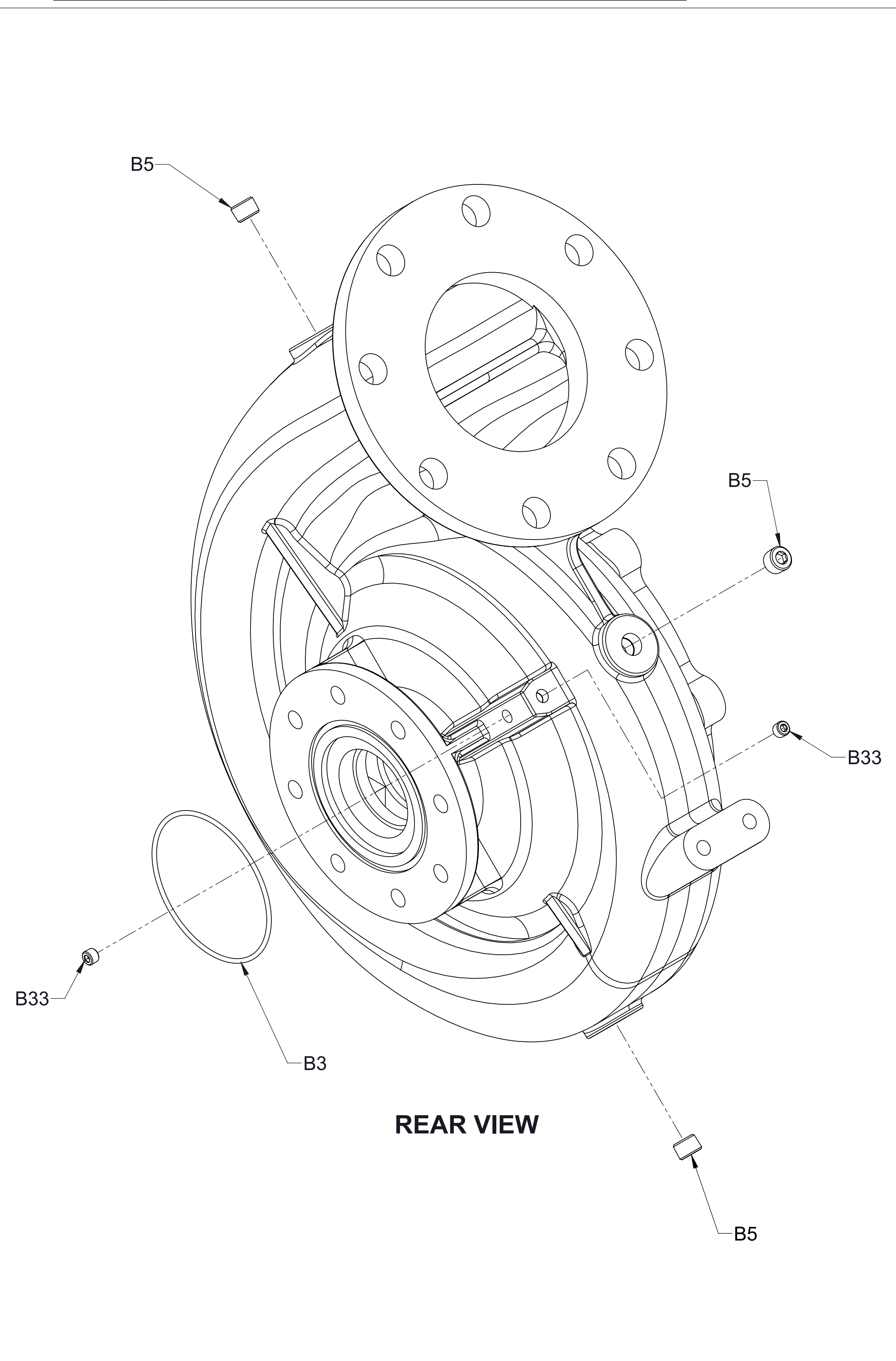
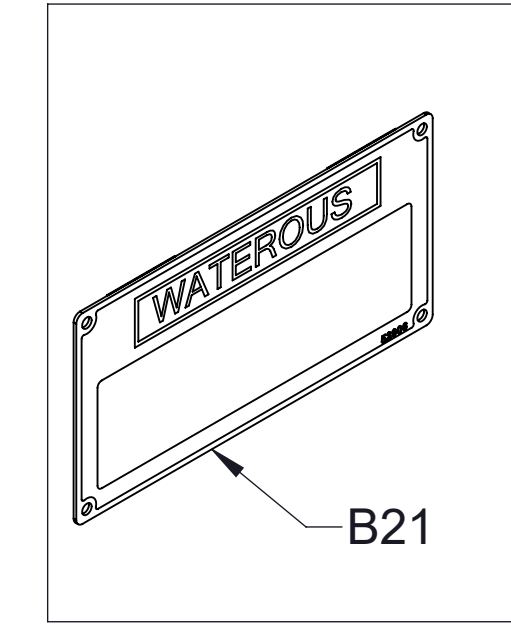
Complete Pump and Transmission Model (Located on Pump Serial Plate)						See Pages				
						Pump Body and Intake Adapter		Optional Discharge Fittings		
C10 Series	C20 Series	C22 Series	P Series	QC Series	D Series (Direct Drive)			Manifold		ANSI Adapter
						8 IN.	Dual 8 IN.	Mounted Perpendicular to Intake	Mounted Parallel to Intake	
S100C10B S100C10C S100C10D S100C10E S100C10F	S100C20B S100C20C S100C20D S100C20E S100C20F	S100C22B S100C22C S100C22D S100C22E S100C22F	--		--	2	3	5	6	7
--	--	--	S100PA		--		--			
--	--	--	--	S100QC	--		--			
--	--	--	--		S100D	4	--			

REF NO.	DESCRIPTION
B1	Volute Body Assembly (Includes Wear Ring)
B2	Intake Adapter Assembly (Includes Wear Ring)
B3	O-Ring, 4-1/4 x 4-1/2 in
B4	O-Ring, 10-1/2 x 10-3/4 in
B5	Plug-Pipe, Headless, 3/8 NPT
B6	Plate-Serial
B7	Screw-Drive, #6 x 1/4 in
B8	Screw-Hex Hd, M12-1.75 x 30 mm
B9	Washer-Lock, 12 mm
B20	Washer-Lock, 1/2 in
B21	Plate-Serial (Panel)
B33	Plug-Pipe, Headless, 1/8 NPT
B34	Screw-Hex Hd, 1/2-13 x 1-1/4 in
B37	Plug-Pipe, Headless, 3/4 NPT



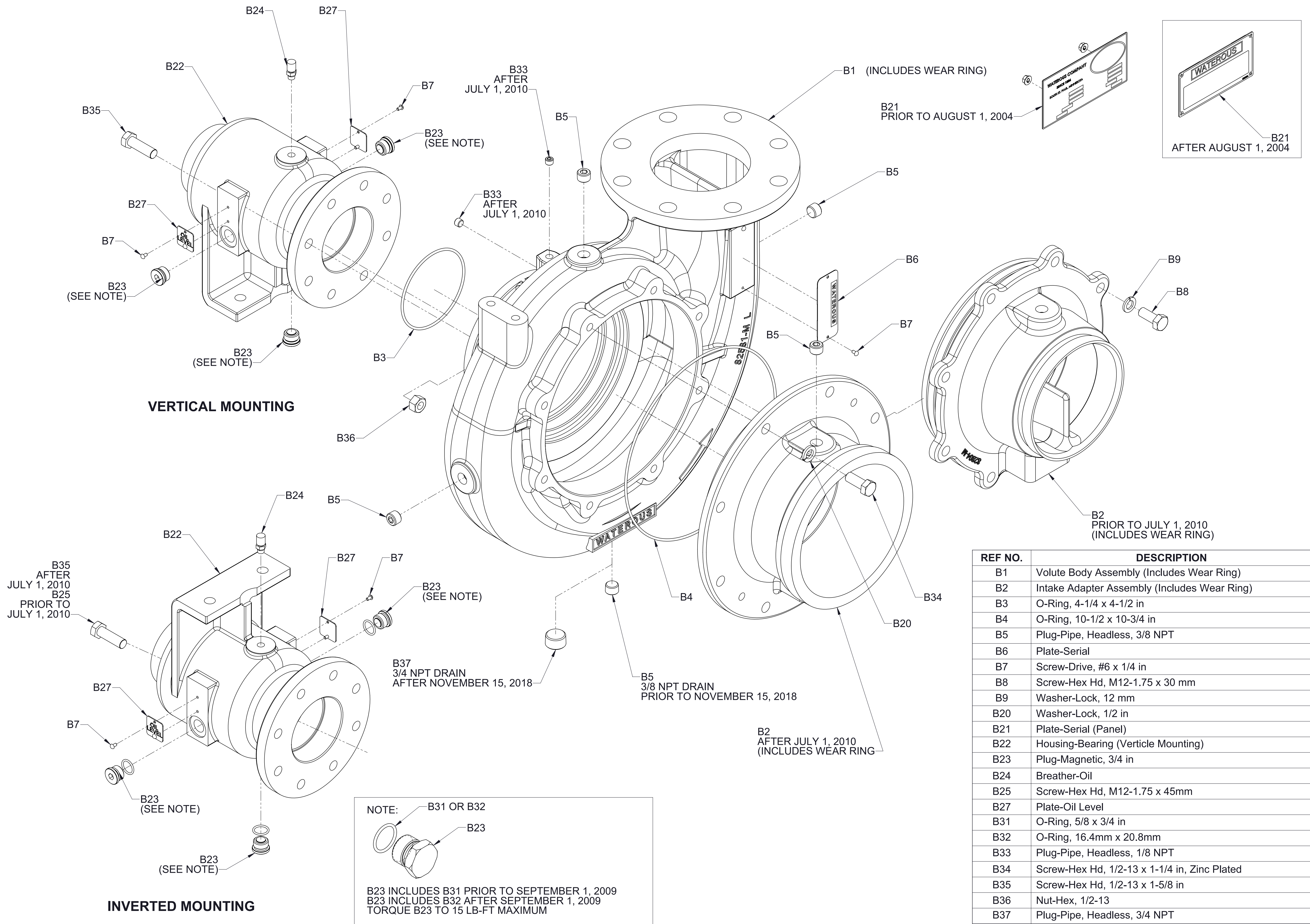
PUMP BODY AND INTAKE ADAPTER
S100C10, S100C20, S100C22, S100PA AND S100QC MODELS

REF NO.	DESCRIPTION
B1	Volute Body Assembly (Includes Wear Ring)
B2	Adapter-Intake, Dual 8in. Victaulic
B3	O-Ring, 4-1/4 x 4-1/2 in
B4	O-Ring, 10-1/2 x 10-3/4 in
B5	Plug-Pipe, Headless, 3/8 NPT
B6	Plate-Serial
B7	Screw-Drive, #6 x 1/4 in
B20	Washer-Lock, 1/2 in
B21	Plate-Serial (Panel)
B33	Plug-Pipe, Headless, 1/8 NPT
B34	Screw-Hex Hd, 1/2-13 x 1-1/4 in, Zinc Plated
B37	Plug-Pipe, Headless, 3/4 NPT
B38	O-Ring, 8 x 8-1/4 in
B39	Housing-Wear Ring (Includes Wear Ring)
B40	Screw-Hex Hd, 3/8-16 X 1-1/4 in
B41	Washer-Lock, 3/8 in

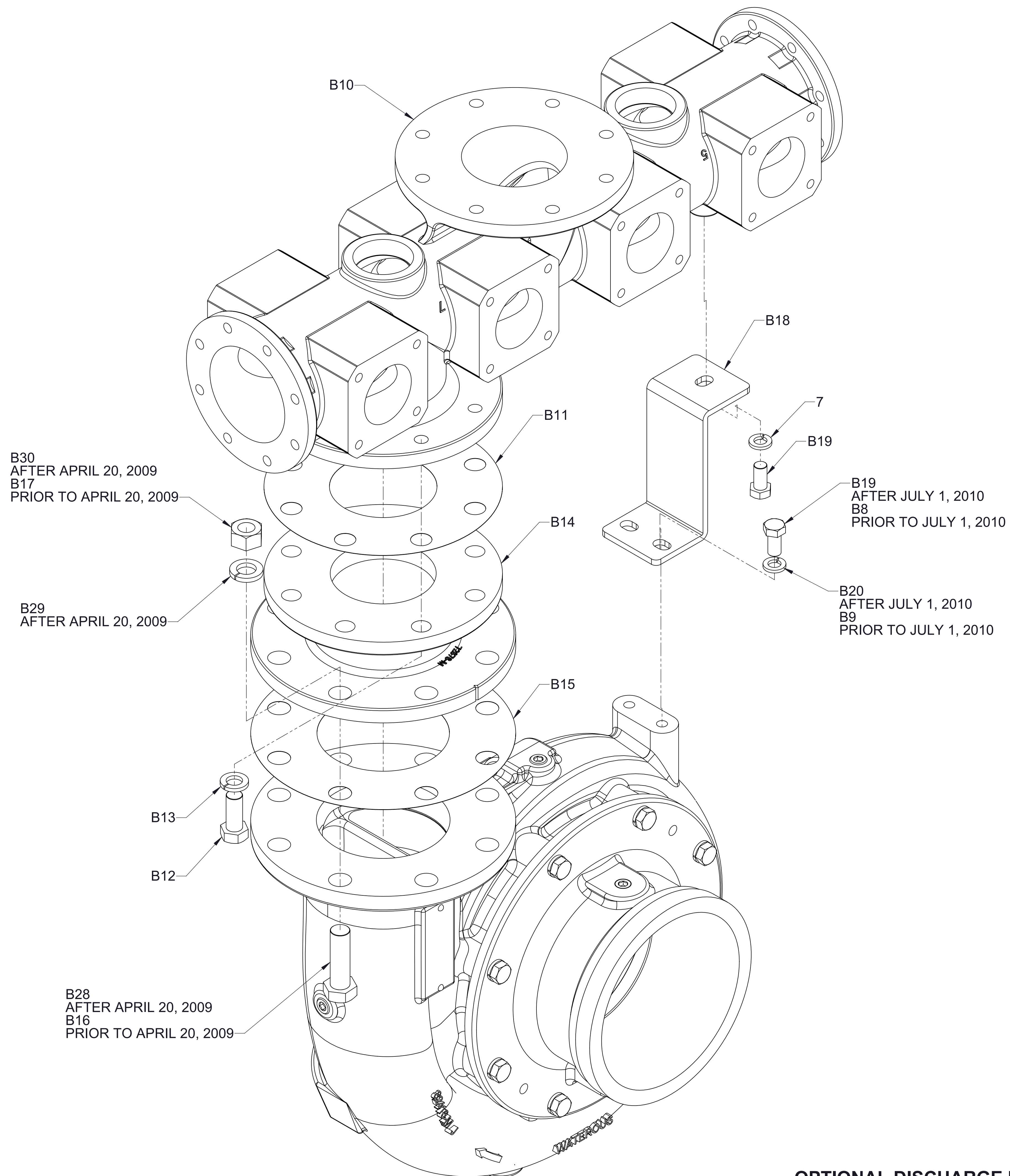


PUMP BODY AND DUAL INTAKE ADAPTER

S100C20 AND S100C22 MODELS



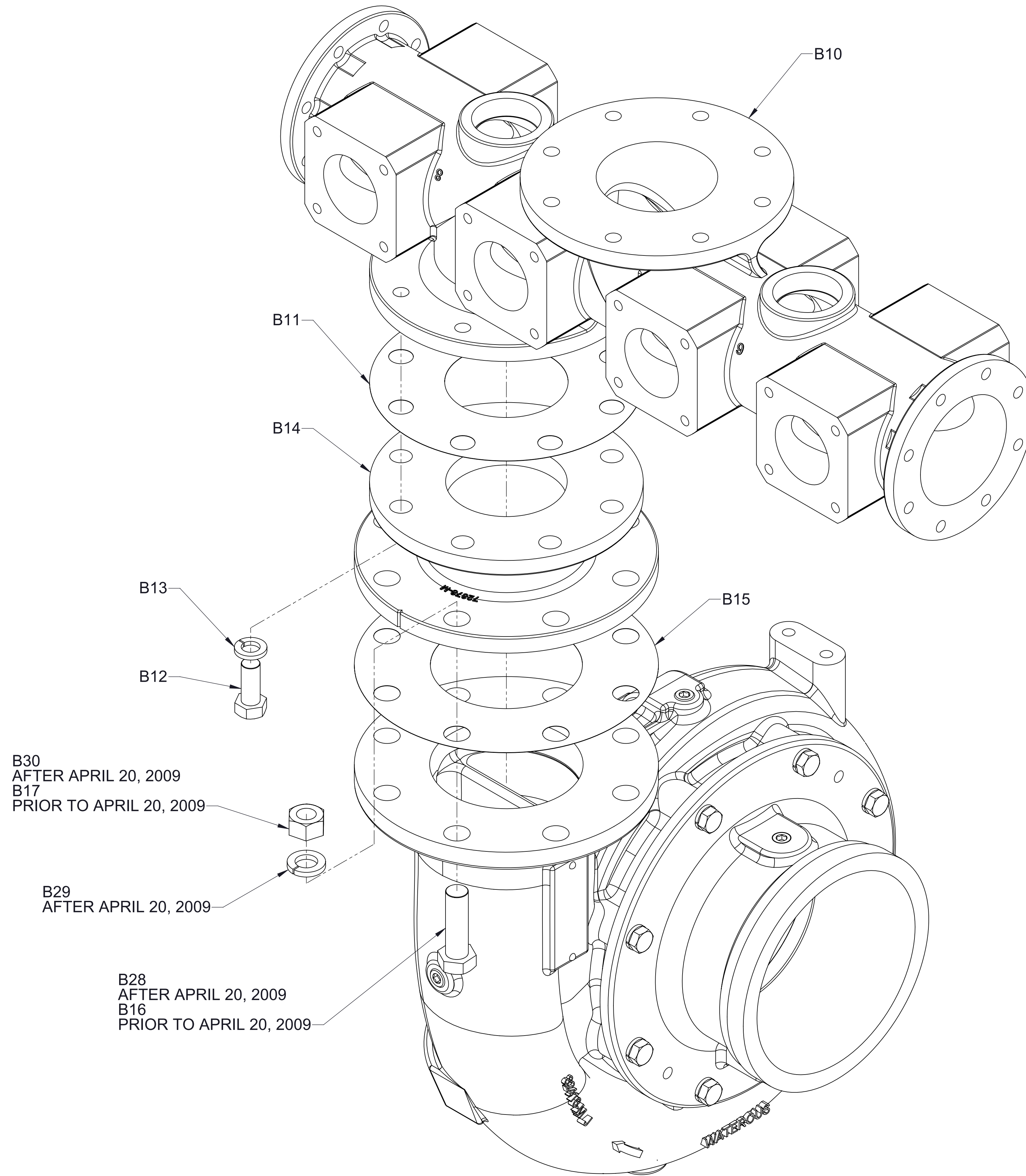
PUMP BODY AND INTAKE ADAPTER
 S100D MODEL



REF NO.	DESCRIPTION
B8	Screw-Hex Hd, M12 - 1.75 x 30mm
B9	Washer-Lock, 12 mm
B10	Manifold-Discharge
B11	Gasket-Discharge Manifold
B12	Screw-Hex Hd, 5/8-11 x 1-1/2 in, Heat Treated
B13	Washer-Lock, 5/8 in
B14	Adapter-Flange, 4 in ANSI TO 5 in ANSI (Non-Angle Compensated)
B15	Gasket (4 1/2" or 5" ANSI Flange)
B16	Screw-Hex Hd, 3/4-16 x 2 in
B17	Nut-Hex, 3/4-16
B18	Bracket-Manifold, Non-Angle Compensated
B19	Screw-Hex Hd, 1/2-13 x 1 in
B28	Screw-Hex Hd, 3/4-10 x 2-1/2 in, Zinc Plated
B29	Washer-Lock, 3/4 in
B30	Nut-Hex, 3/4-10, Zinc Plated

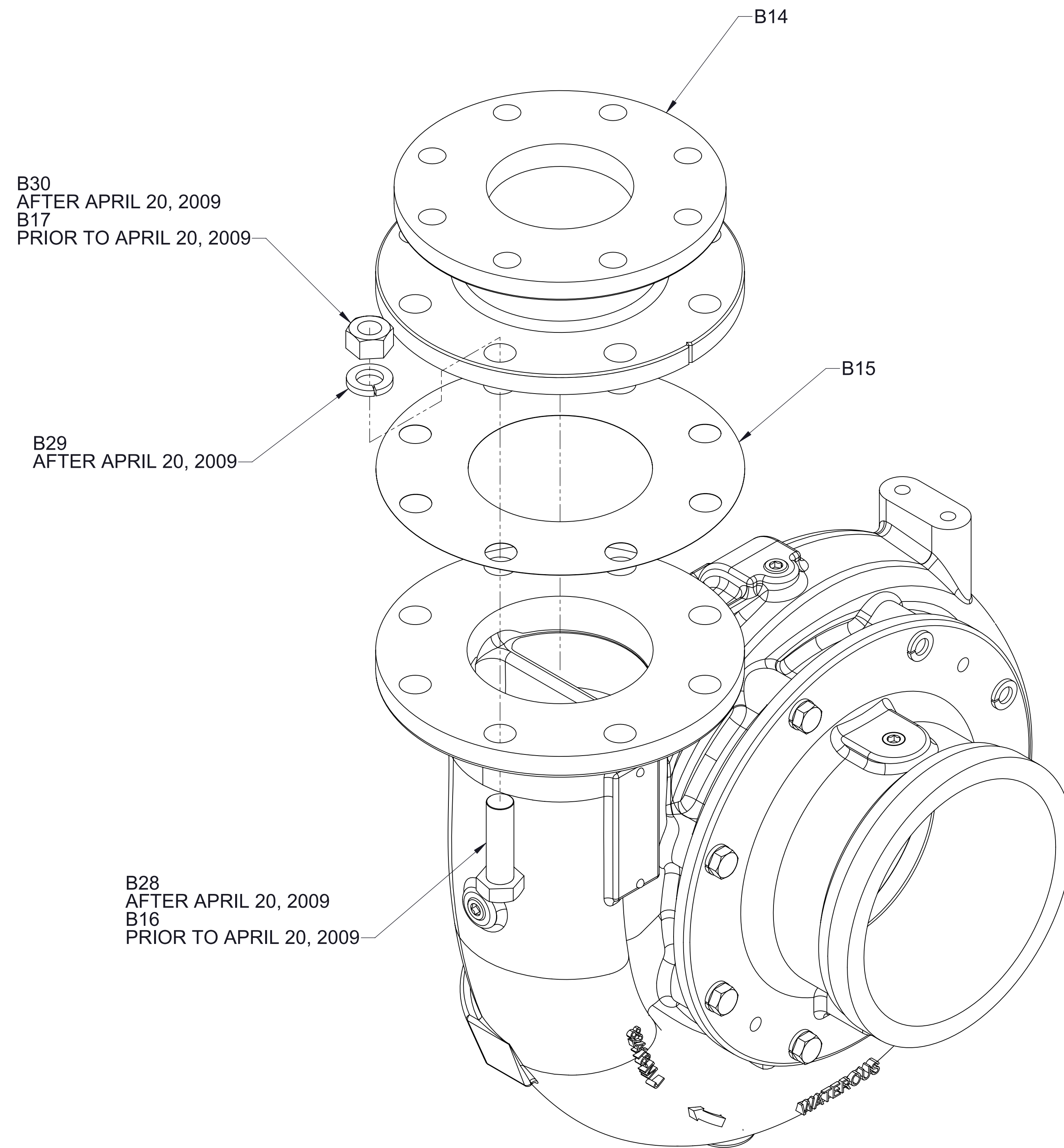
OPTIONAL DISCHARGE MANIFOLD
MOUNTED PERPENDICULAR TO INTAKE

REF NO.	DESCRIPTION
B10	Manifold-Discharge
B11	Gasket-Discharge Manifold
B12	Screw-Hex Hd, 5/8-11 x 1-1/2 in
B13	Washer-Lock, 5/8 in
B14	Adapter-Flange, 4 in ANSI TO 5 in ANSI (Non-Angle Compensated)
B15	Gasket (4 1/2" or 5" ANSI Flange)
B16	Screw-Hex Hd, 3/4-16 x 2 in
B17	Nut-Hex, 3/4-16
B28	Screw-Hex Hd, 3/4-10 x 2-1/2 in
B29	Washer-Lock, 3/4 in
B30	Nut-Hex, 3/4-10



OPTIONAL DISCHARGE MANIFOLD
MOUNTED PARALLEL TO INTAKE

REF NO.	DESCRIPTION
B14	Adapter-Flange, 4 in ANSI TO 5 in ANSI (Non-Angle Compensated)
B15	Gasket (4 1/2" or 5" ANSI Flange)
B16	Screw-Hex Hd, 3/4-16 x 2 in
B17	Nut-Hex, 3/4-16
B28	Screw-Hex Hd, 3/4-10 x 2-1/2 in, Zinc Plated
B29	Washer-Lock, 3/4 in
B30	Nut-Hex, 3/4-10, Zinc Plated



OPTIONAL ANSI ADAPTER