



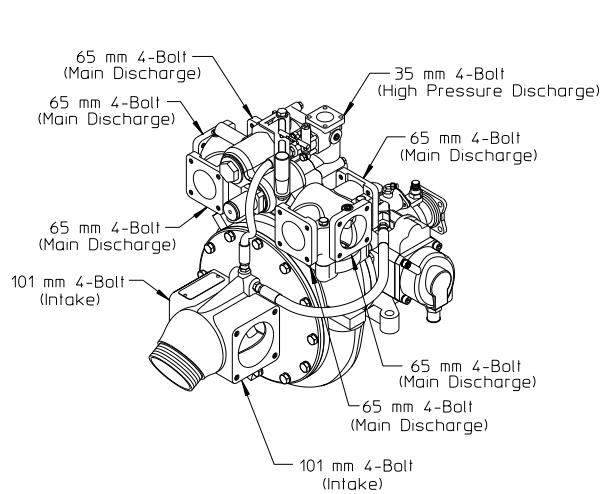
Document Number	Issue Date	Rev. Date
SPL83156	09/13/11	6/24/19

HL Series Fire Pump Intake and Discharge Fittings Service

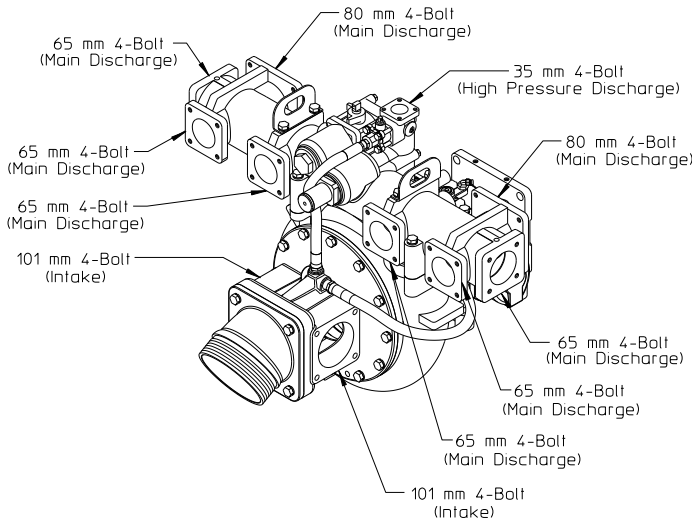
Parts List

Index:

Pump Model <i>(Located on Pump Serial Plate)</i>				Fitting		See Pages
HLU Series	HL200 Series	HL300 Series	HL400 Series	Size	Type	
HLUD HLUK	HL200D HL200K	HL300D HL300K	HL400D HL400K	35 mm 4-Bolt	Tapped Flange	2, 3
					Manifold	
				65 mm 4-Bolt	Blind Flange	
					Tapped Flange	
					Elbow	
				80 mm 4-Bolt	2-1/2 in. Valve	
					Blind Flange	6, 7
				101 mm 4-Bolt	Tapped Flange	
					Manifold	
					Foam Flange	



HL200 and HL300 Series Models

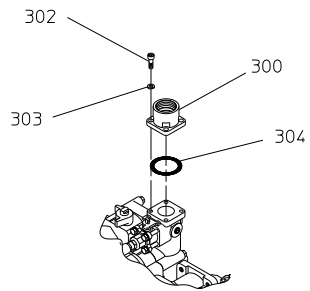


HL400 and HLU Series Models

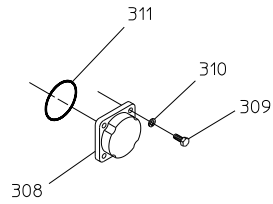
35 mm and 65 mm 4-Bolt Fittings

REF. NO.	DESCRIPTION
42	O-ring Repair Kit (Includes 304, 311, 318, 327, 330 plus O-rings for the Pump, see Ref No. 42 on SPL83155 or SPL83161)
300	Tapped Flange, 1-1/4 in. BSP
300	Tapped Flange, 1 in. NPT
301	High Pressure Stage Manifold, 1 in. BSP
301	High Pressure Stage Manifold, 1 in. NPT
302	Soc Hd Screw, M8-1.25 x 25 mm
303	Lock Washer, 8 mm
304	O-ring, 1-5/8 x 1-7/8 in.
305	Tapped Flange, 1 in. BSP
306	Tapped Flange, 1 in. NPT
307	Tapped Flange, 2-1/2 in. BSP

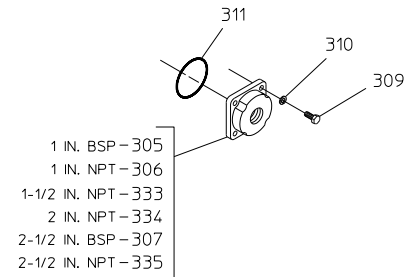
REF. NO.	DESCRIPTION
308	Blind Flange, 65 mm 4-Bolt
309	Hex Hd Screw, M10-1.5 x 30 mm
310	Lock Washer, 10 mm
311	O-ring, 3-3/8 x 3-5/8 in.
312	Discharge Elbow, 30 Degree
313	Discharge Elbow, 90 Degree with 1 in. BSP Tap
314	Discharge Elbow, 90 Degree with 1 in. NPT Tap
315	Pipe Plug, 1 in. BSP
316	Pipe Plug, 1 in. NPT
333	Tapped Flange, 1-1/2 in. NPT
334	Tapped Flange, 2 in. NPT
335	Tapped Flange, 2-1/2 in. NPT



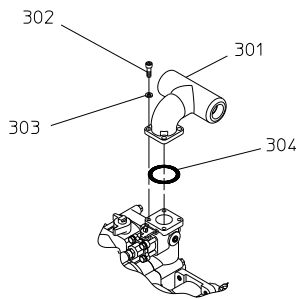
TAPPED FLANGE



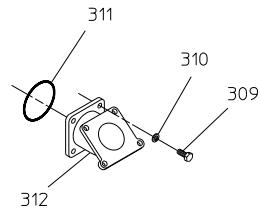
BLIND FLANGE



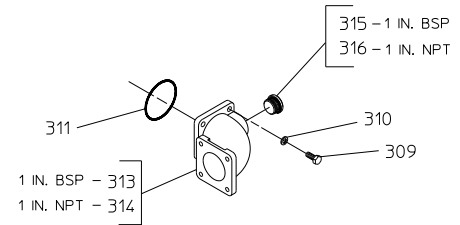
TAPPED FLANGE



MANIFOLD



30° ELBOW



90° ELBOW

35 mm 4-BOLT FITTINGS

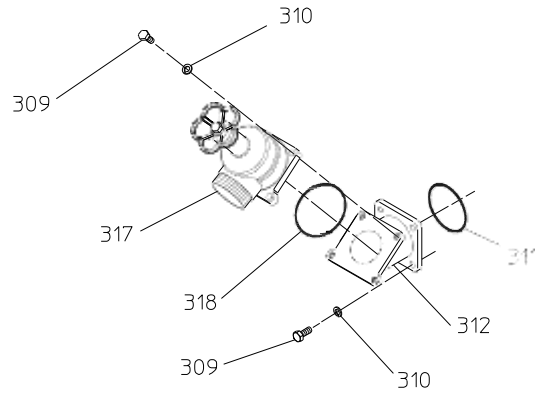
65 mm 4-BOLT FITTINGS

O-RING
 REPAIR KIT 42

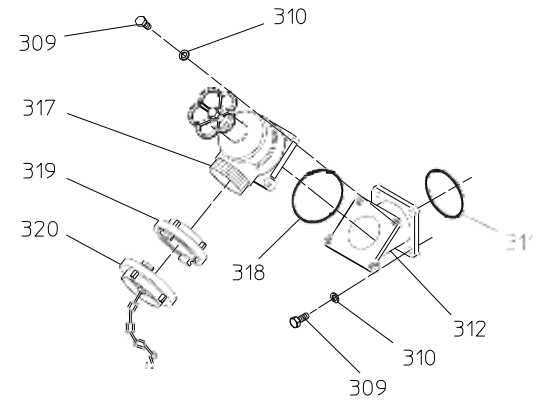
65 mm 4-Bolt Fittings

REF. NO.	DESCRIPTION
42	O-ring Repair Kit (Includes 304, 311, 318, 327, 330 plus O-rings for the Pump, see Ref No. 42 on SPL83155 or SPL83161)
309	Hex Hd Screw, M10-1.5 x 30 mm
310	Lock Washer, 10 mm
311	O-ring, 3-3/8 x 3-5/8 in.
312	Discharge Elbow, 30 Degree
313	Discharge Elbow, 90 Degree with 1 in. BSP Tap

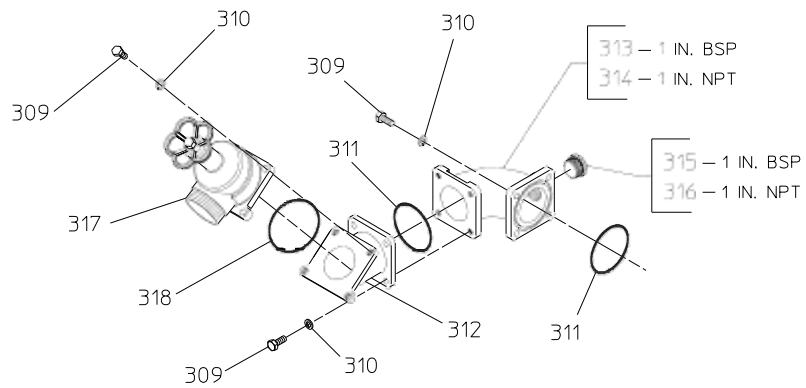
REF. NO.	DESCRIPTION
314	Discharge Elbow, 90 Degree with 1 in. NPT Tap
315	Pipe Plug, 1 in. BSP
316	Pipe Plug, 1 in. NPT
317	Discharge Valve, AWG, 2-1/2 in. BSP
318	O-ring, 93 mm x 99 mm
319	Storz Fitting, 65 mm x 2-1/2 in. BSP
320	Storz Cap, 65 mm



WITH 30° ELBOW

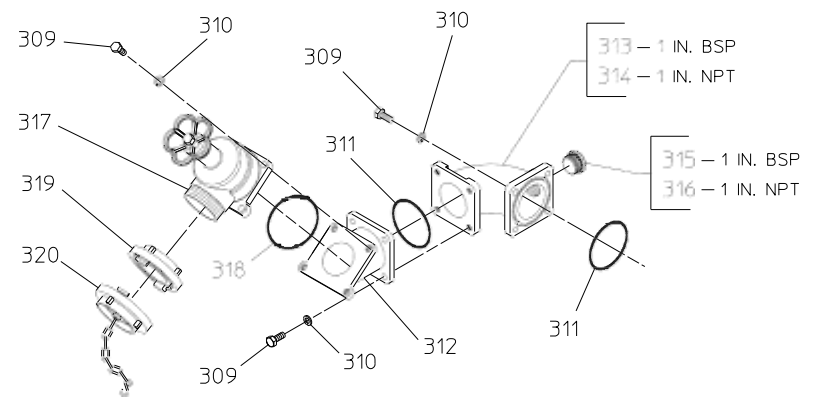


WITH 30° ELBOW



WITH 30° AND 90° ELBOWS

2-1/2 IN. VALVE WITH BSP THREADS



WITH 30° AND 90° ELBOWS

2-1/2 IN. VALVE WITH STORZ ADAPTER

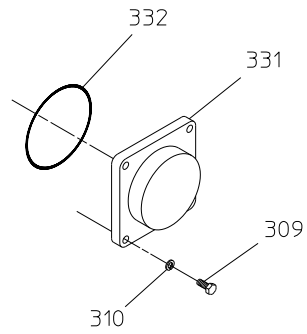
65 4-BOLT FITTINGS



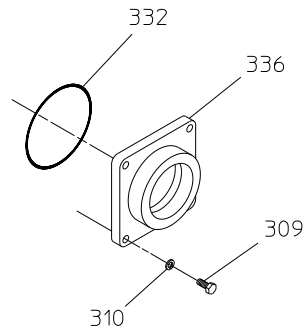
80 mm and 101 mm 4-Bolt Fittings

REF. NO.	DESCRIPTION
42	O-ring Repair Kit (Includes 304, 311, 318, 327, 330 plus O-rings for the Pump, see Ref No. 42 on SPL83155 or SPL83161)
309	Hex Hd Screw, M10-1.5 x 30 mm
310	Lock Washer, 10 mm
321	Blind Flange, 101 mm 4-Bolt
322	Foam Flange, 101 mm 4-Bolt
323	Blind Flange, Foam Pad
324	Intake Manifold

REF. NO.	DESCRIPTION
325	Hex Hd Screw, M8-1.25 x 25 mm
326	Lock Washer, 8 mm
327	O-ring, 1-5/8 x 1-7/8 in.
328	Hex Hd Screw, M12-1.75 x 30 mm
329	Lock Washer, 12 mm
330	O-ring, 4-1/2 x 4-3/4 in.
331	Blind Flange, 80 mm 4-Bolt
332	O-ring, 4-3/4 x 5 in.
336	Tapped Flange, 3 in. NPT

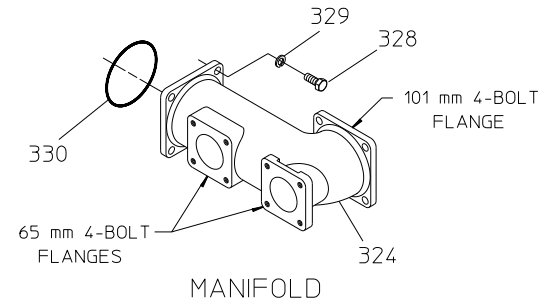


BLIND FLANGE

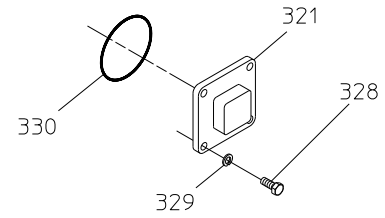


TAPPED FLANGE

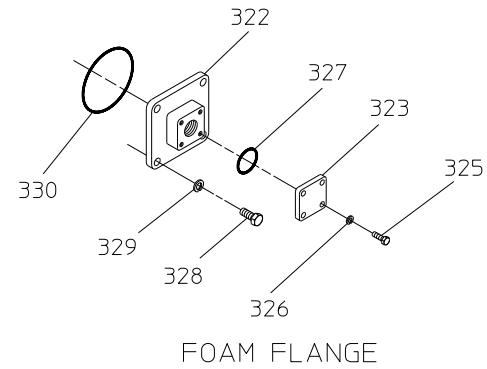
80 mm 4-BOLT FITTINGS



MANIFOLD



BLIND FLANGE



FOAM FLANGE

101 mm 4-BOLT FITTINGS

O-RING
REPAIR KIT — 42