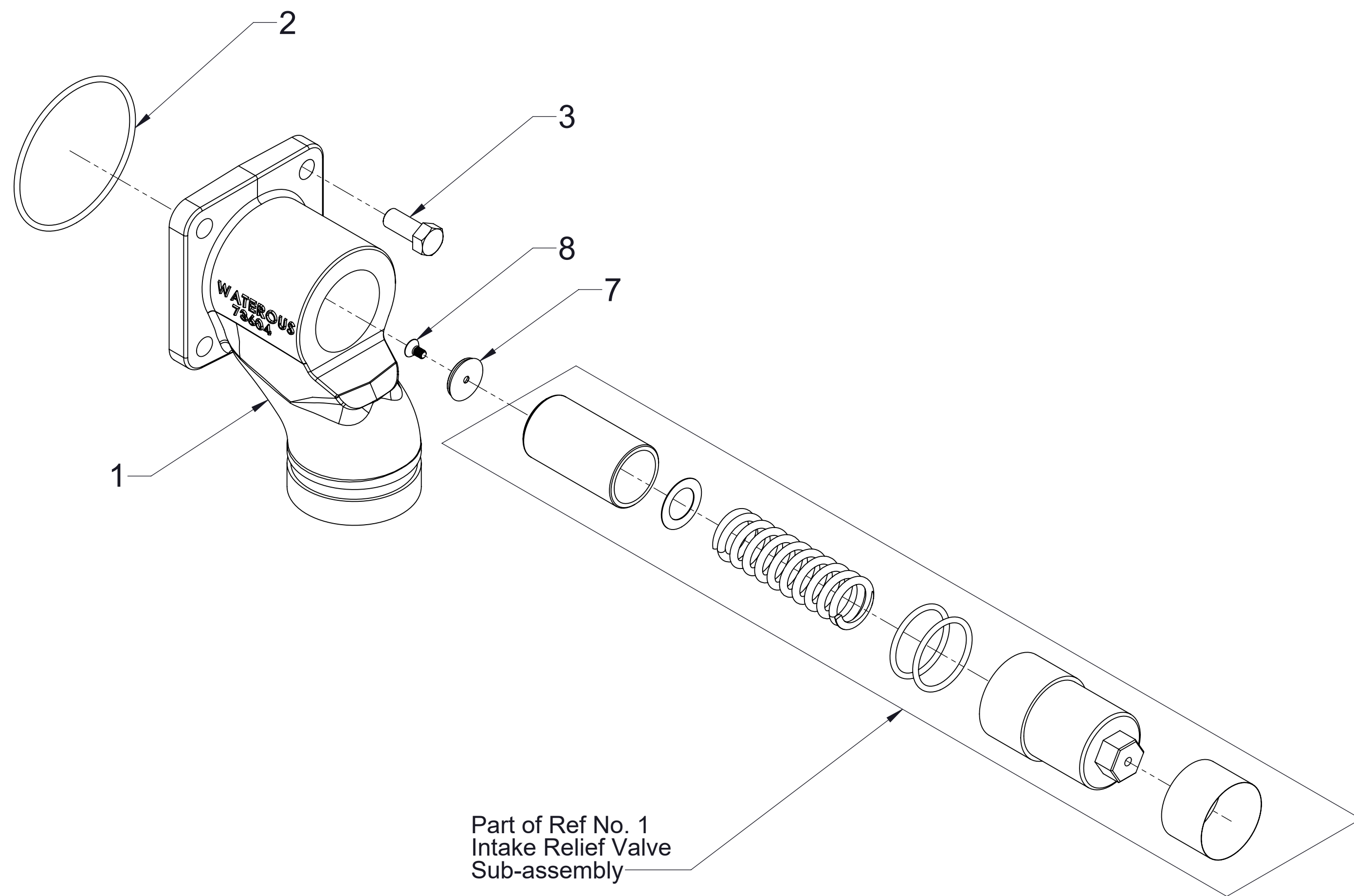


Non-Piloted Intake Relief Valve Service Parts List

Valve			See Page
Outlet	Inlet	Mounting	
OD: 2-1/2 in Victaulic ID: 2 in NPT (F)	Waterous 4-Bolt Flange	Intake Nipple Flange or Intake Fitting Side Pad (On Pump)	2
	2-1/2 in NPT (F)	Separately	2

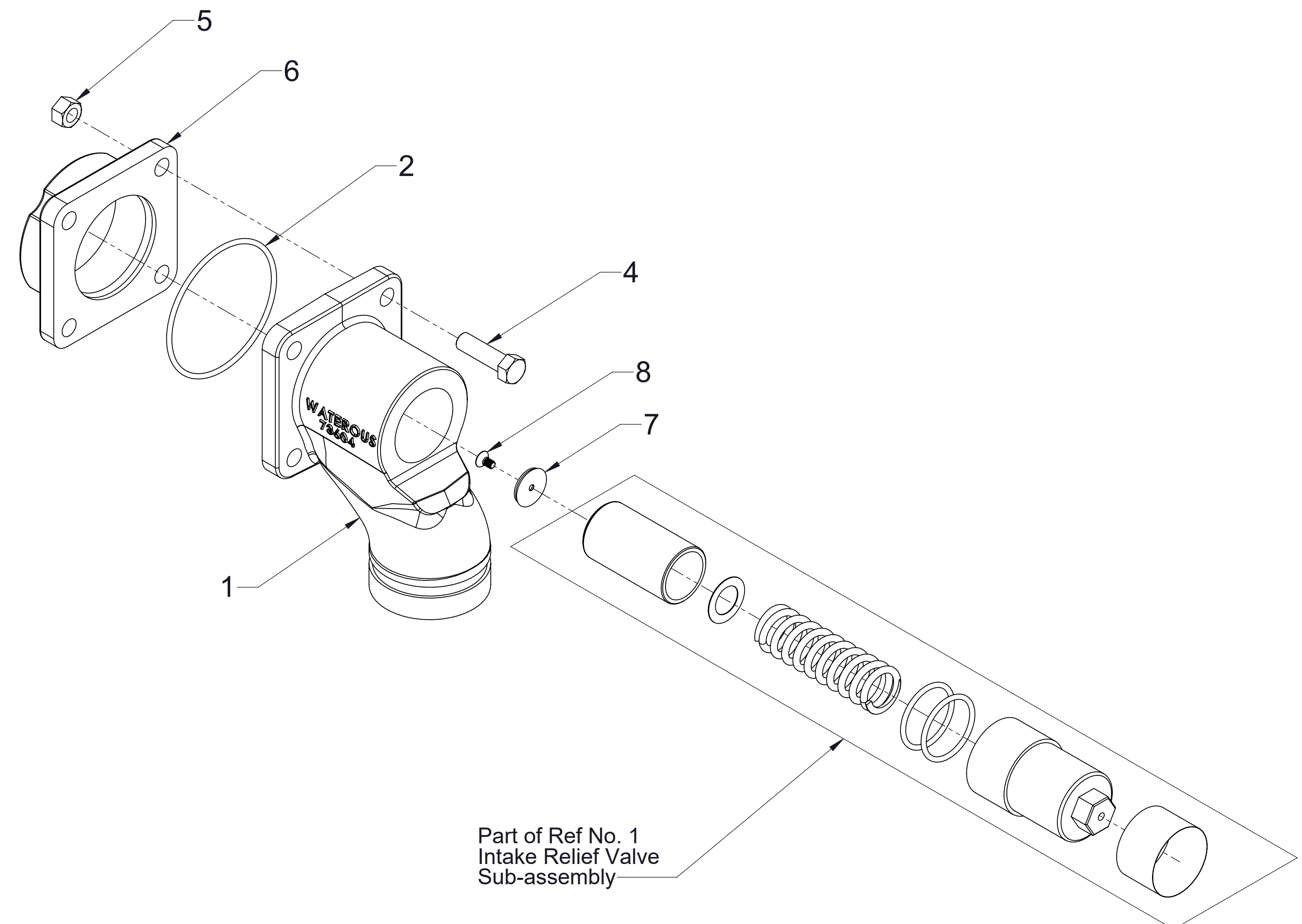
Ref No.	Description
1	Housing-Intake Relief Valve Sub-assembly
2	O-Ring, 3-3/8 x 3-5/8 in
3	Screw-Hex Hd, 7/16-14 x 1 in
7	Seal-Relief Valve
8	Screw-Machine, Flat Hd, Hex Soc, #10-32 X 3/8



Mounted on Pump

Outlet: 2-1/2 in. Victaulic OD, 2 NPT (F) ID
Inlet: Waterous 4-Bolt Flange.

Ref No.	Description
1	Housing-Intake Relief Valve Sub-assembly
2	O-Ring, 3-3/8 x 3-5/8 in
4	Screw-Hex Hd, 7/16-14 x 1-1/2 in
5	Nut-Hex, 7/16-14
6	Flange-Tapped, 2-1/2 NPT
7	Seal-Relief Valve
8	Screw-Machine, Flat Hd, Hex Soc, #10-32 X 3/8



Separately Mounted

Outlet: 2-1/2 in. Victaulic OD, 2 NPT (F) ID
Inlet: 2-1/2 NPT (F)