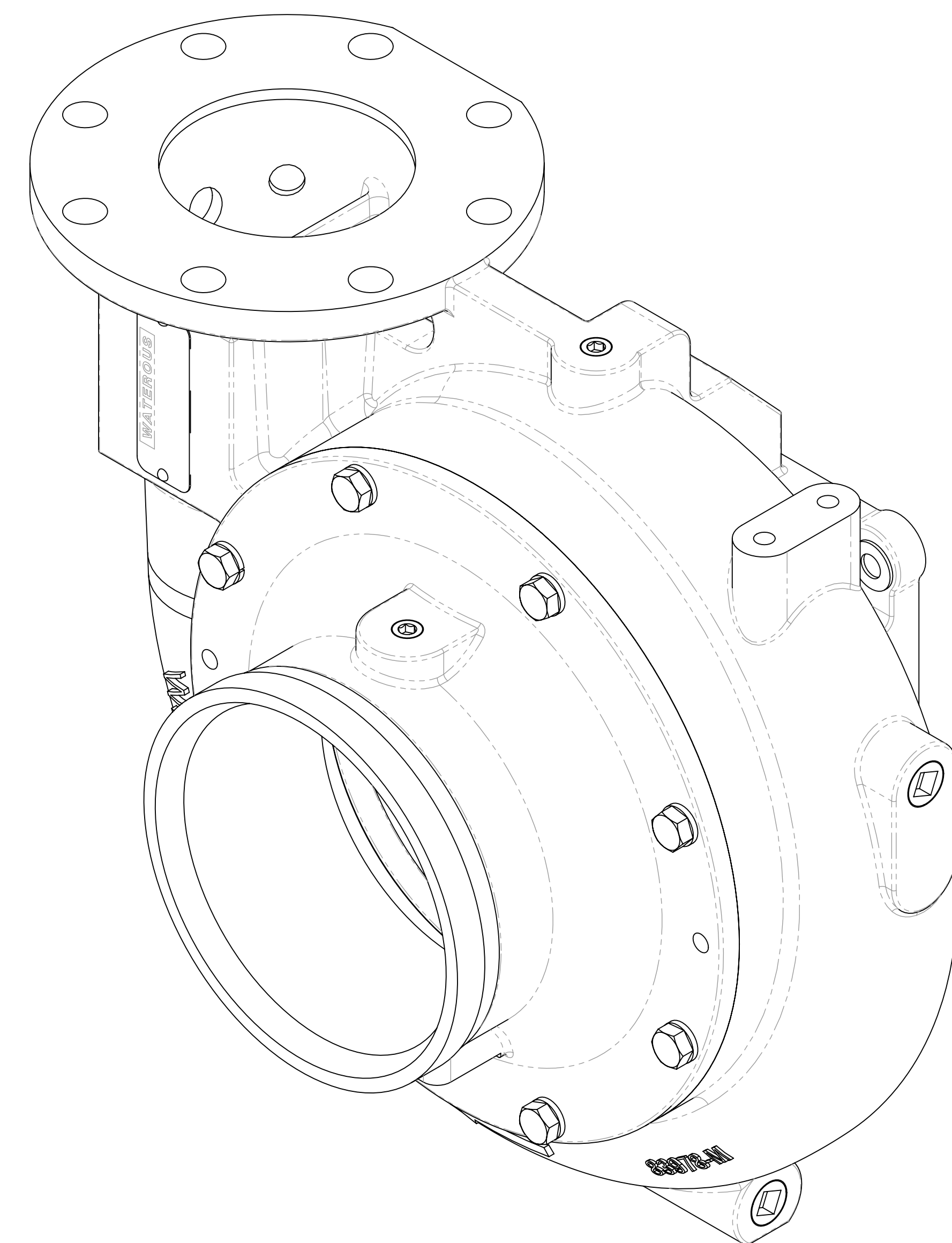
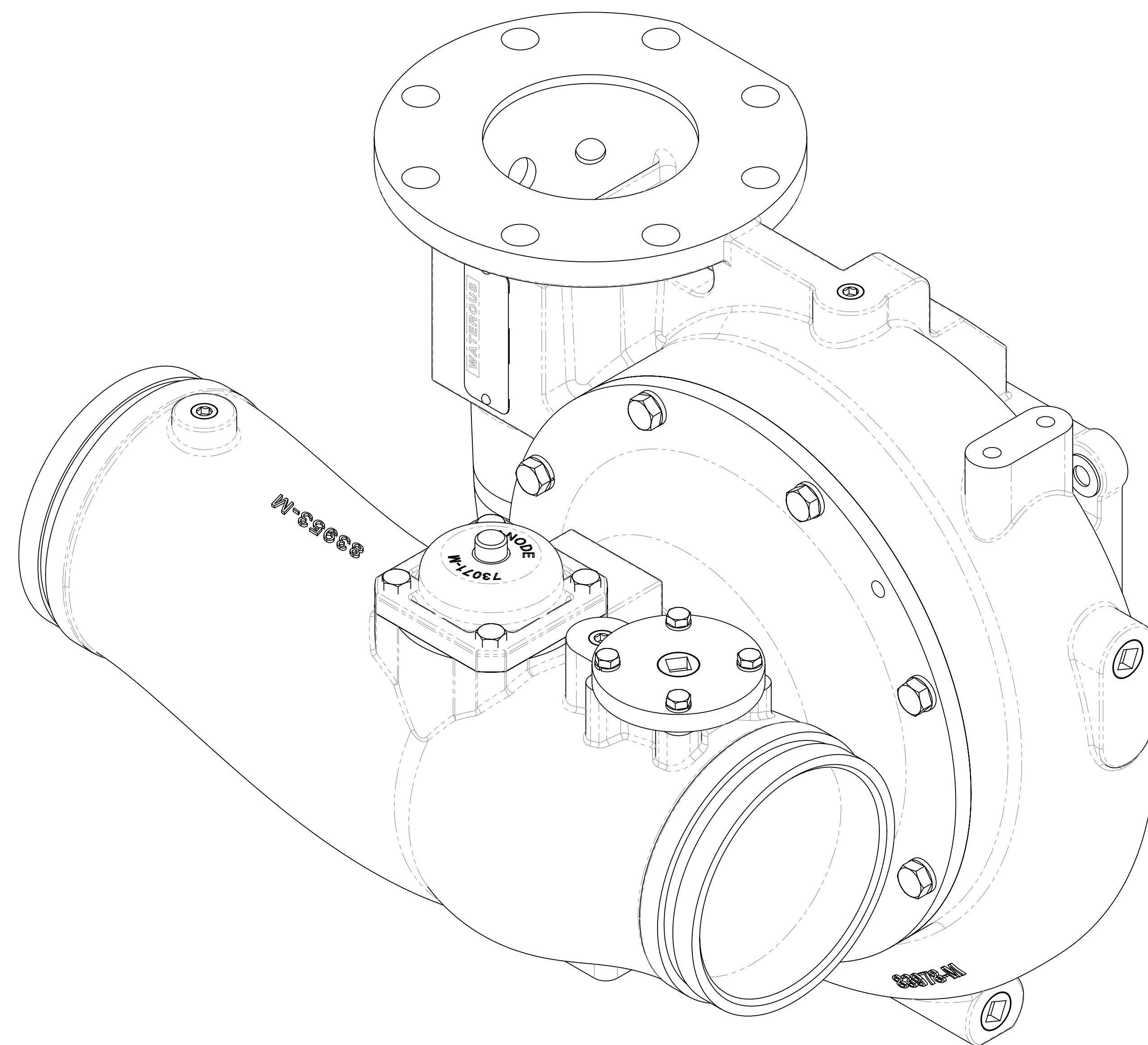
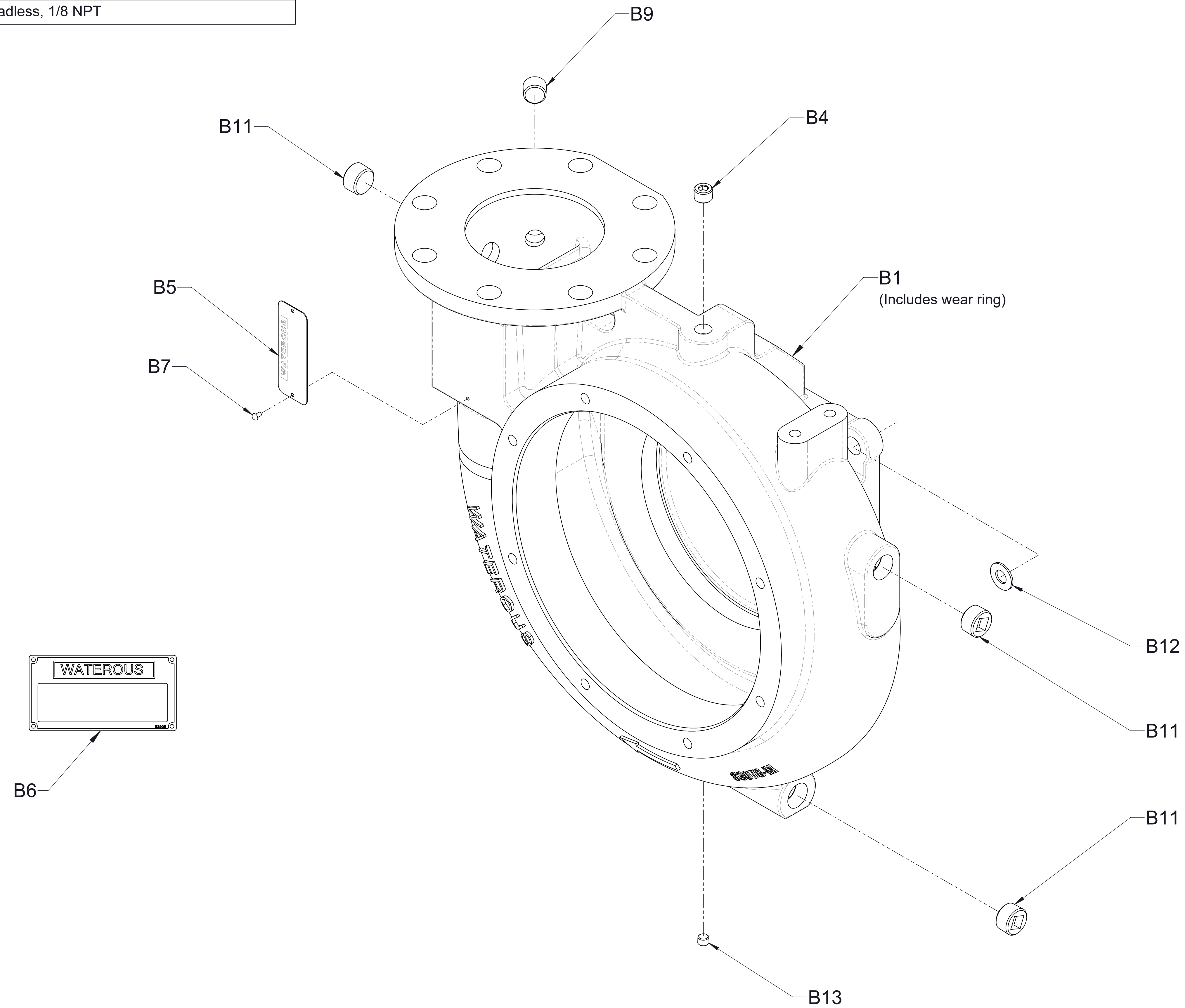


ESU1 Body Assembly Service Parts List

Description	See Page
Body Assembly - ESU1C22	2
Body Assembly - ESU1D	3
Single 8 in Victaulic Intake Fitting Assembly	4
Dual 6 in Victaulic Intake Fitting Assembly	5
Dual 6 in Victaulic (Inverted) Intake Fitting Assembly	6
Optional Discharge ANSI Flange Adapter	7
Optional Discharge Manifold Assembly	8

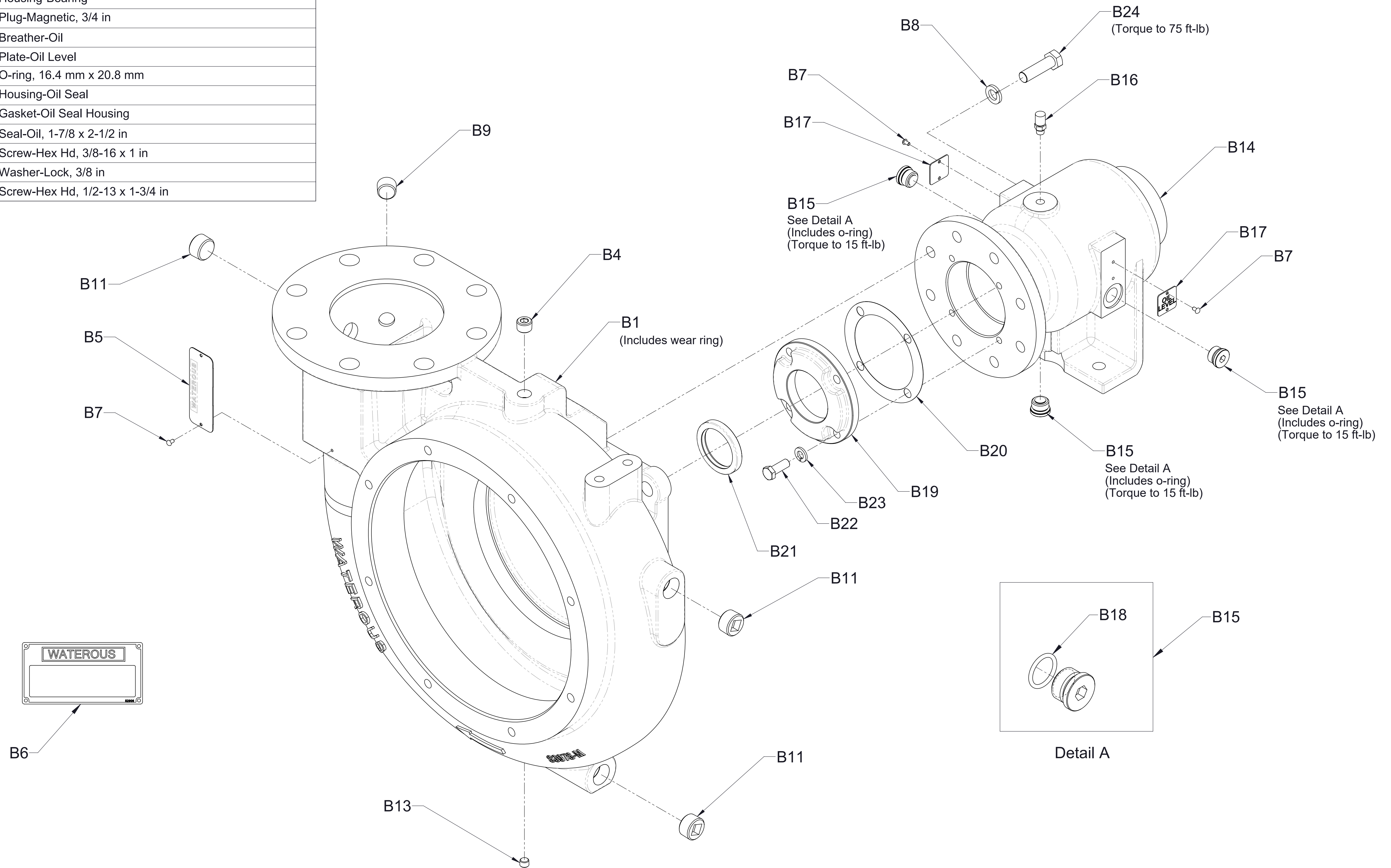


Ref No.	Description
B1	Body-Volute (Includes wear ring)
B4	Plug-Pipe, Headless, 3/8 NPT
B5	Plate-Serial
B6	Plate-Serial, Panel
B7	Screw-Drive, #6 x 1/4 in
B9	Plug-Pipe, Headless, 1/2 NPT
B11	Plug-Pipe, Headless, 3/4 NPT
B12	Washer-Plain, 1/2 in
B13	Plug-Pipe, Headless, 1/8 NPT



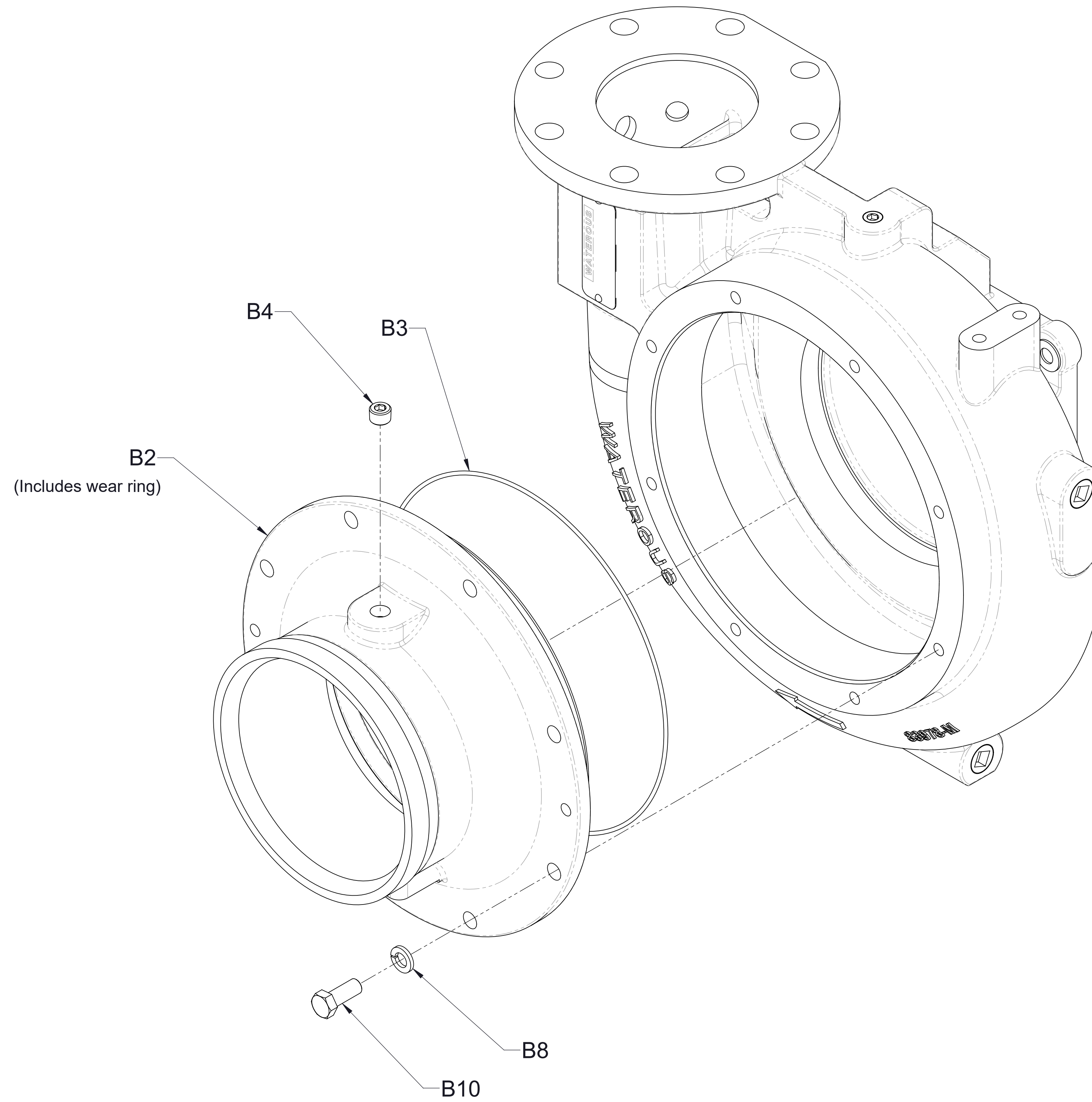
Body Assembly
 (As used with C22 transmissions)
 (CW impeller rotation shown)

Ref No.	Description
B1	Body-Volute (Includes wear ring)
B4	Plug-Pipe, Headless, 3/8 NPT
B5	Plate-Serial
B6	Plate-Serial, Panel
B7	Screw-Drive, #6 x 1/4 in
B8	Washer-Lock, 1/2 in
B9	Plug-Pipe, Headless, 1/2 NPT
B11	Plug-Pipe, Headless, 3/4 NPT
B13	Plug-Pipe, Headless, 1/8 NPT
B14	Housing-Bearing
B15	Plug-Magnetic, 3/4 in
B16	Breather-Oil
B17	Plate-Oil Level
B18	O-ring, 16.4 mm x 20.8 mm
B19	Housing-Oil Seal
B20	Gasket-Oil Seal Housing
B21	Seal-Oil, 1-7/8 x 2-1/2 in
B22	Screw-Hex Hd, 3/8-16 x 1 in
B23	Washer-Lock, 3/8 in
B24	Screw-Hex Hd, 1/2-13 x 1-3/4 in



Body Assembly - ESU1D
 (CW impeller rotation shown)
 (Vertical bearing housing shown)

Ref No.	Description
B2	Fitting-Intake, w/Inducer, 8 IN Victaulic (Includes wear ring)
B3	O-Ring, 12 x 12-1/4 in
B4	Plug-Pipe, Headless, 3/8 NPT
B8	Washer-Lock, 1/2 in
B10	Screw-Hex Hd, 1/2-13 x 1-1/4 in

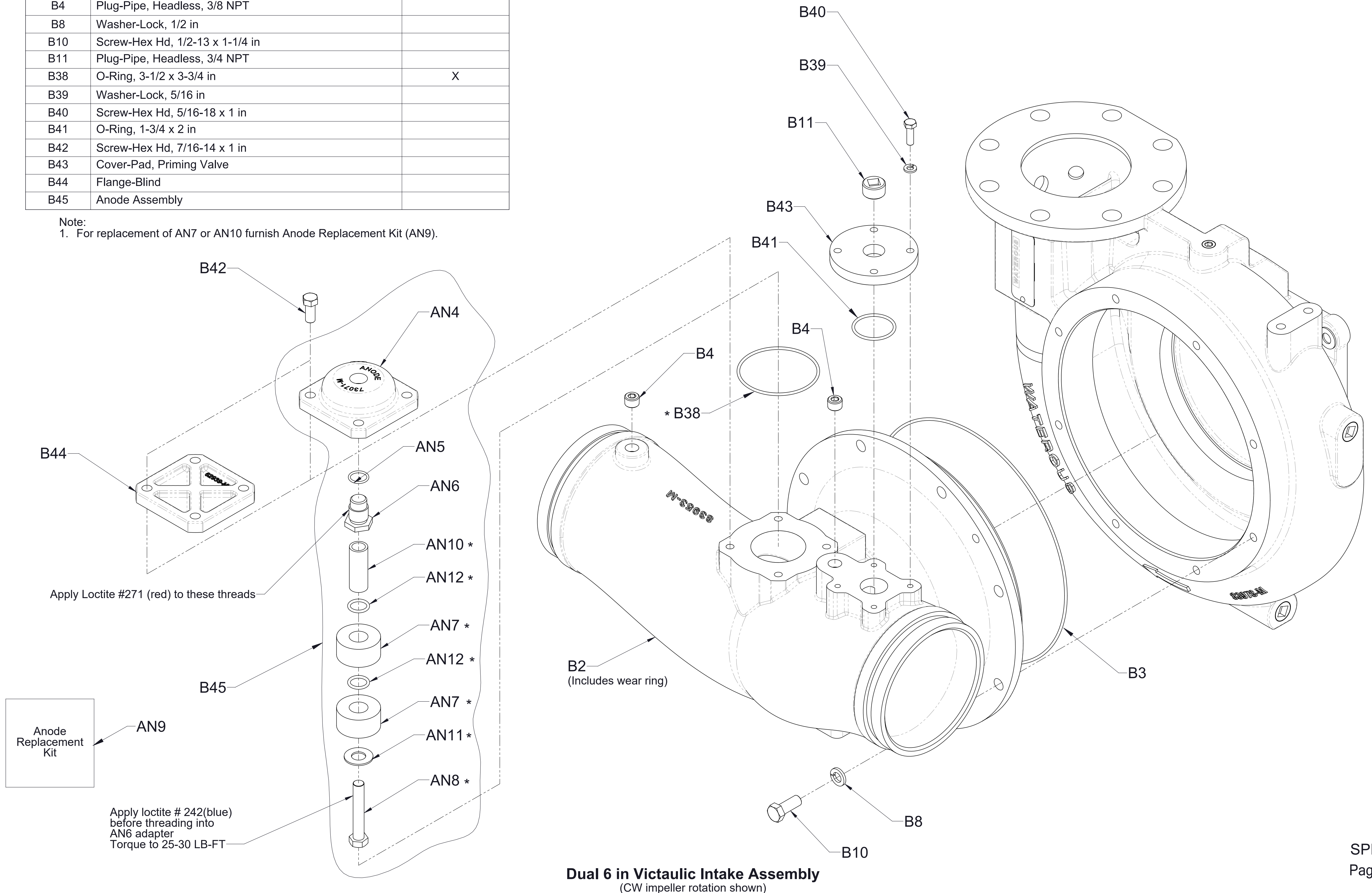


Single 8 in Victaulic Intake Assembly
(CW impeller rotation shown)

Ref No.	Description	Included in AN9 *
AN4	Flange-Anode	
AN5	O-Ring, 3/4 x 15/16 in	
AN6	Adapter-Anode, Threaded	
AN7	Anode-Magnesium	X
AN8	Screw-Hex Hd, 1/2-13 x 3 in	X
AN9	Anode Replacement Kit	
AN10	Spacer-Anode	X
AN11	Washer-Plain, 5/8 in	X
AN12	O-Ring, 3/4 x 1 in	X
B2	Fitting-Intake, Tee, 6 in (Includes wear ring)	
B3	O-Ring, 12 x 12-1/4 in	
B4	Plug-Pipe, Headless, 3/8 NPT	
B8	Washer-Lock, 1/2 in	
B10	Screw-Hex Hd, 1/2-13 x 1-1/4 in	
B11	Plug-Pipe, Headless, 3/4 NPT	
B38	O-Ring, 3-1/2 x 3-3/4 in	X
B39	Washer-Lock, 5/16 in	
B40	Screw-Hex Hd, 5/16-18 x 1 in	
B41	O-Ring, 1-3/4 x 2 in	
B42	Screw-Hex Hd, 7/16-14 x 1 in	
B43	Cover-Pad, Priming Valve	
B44	Flange-Blind	
B45	Anode Assembly	

Note:

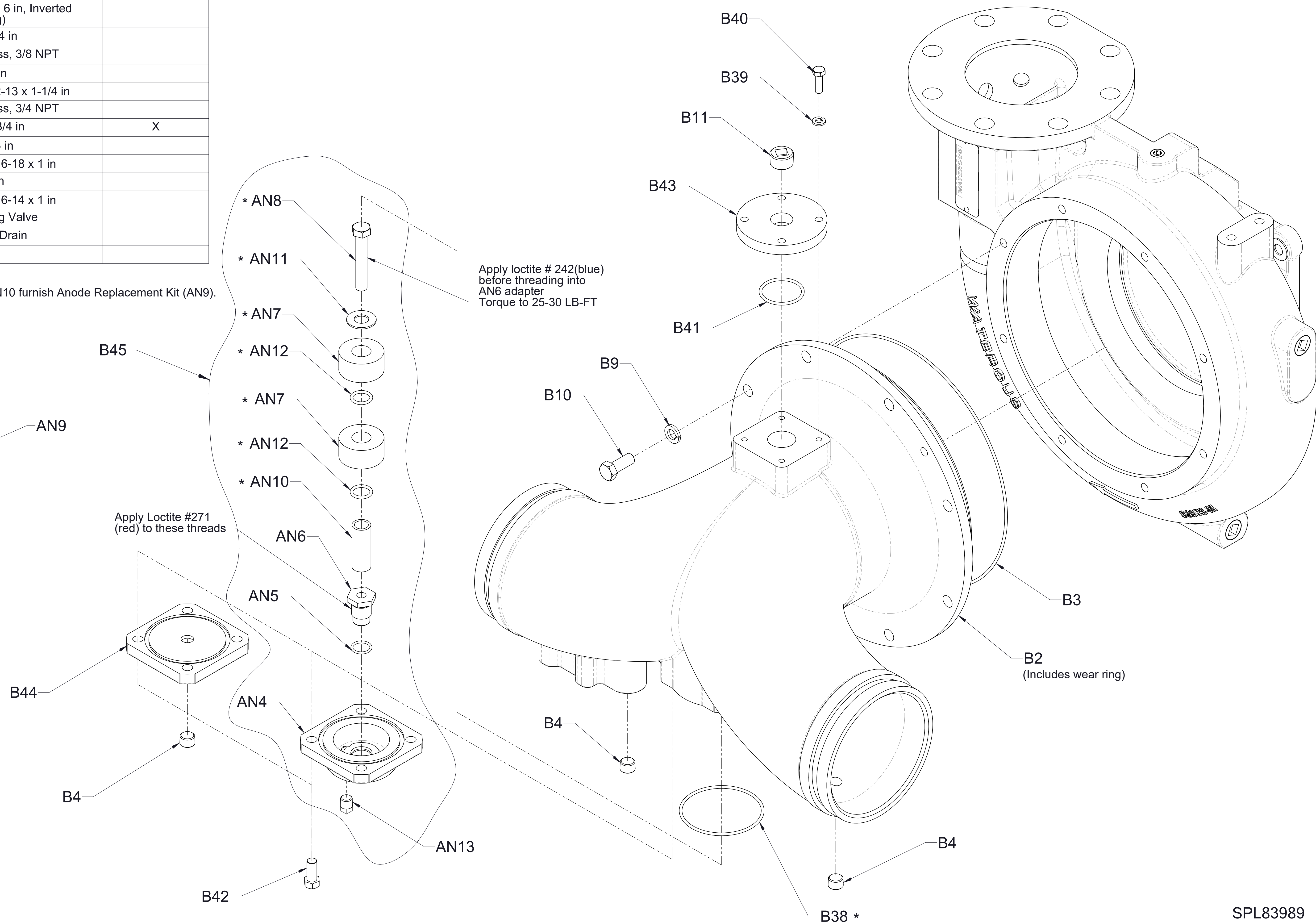
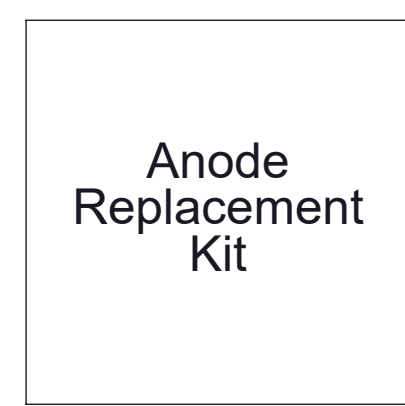
1. For replacement of AN7 or AN10 furnish Anode Replacement Kit (AN9).



Dual 6 in Victaulic Intake Assembly
(CW impeller rotation shown)

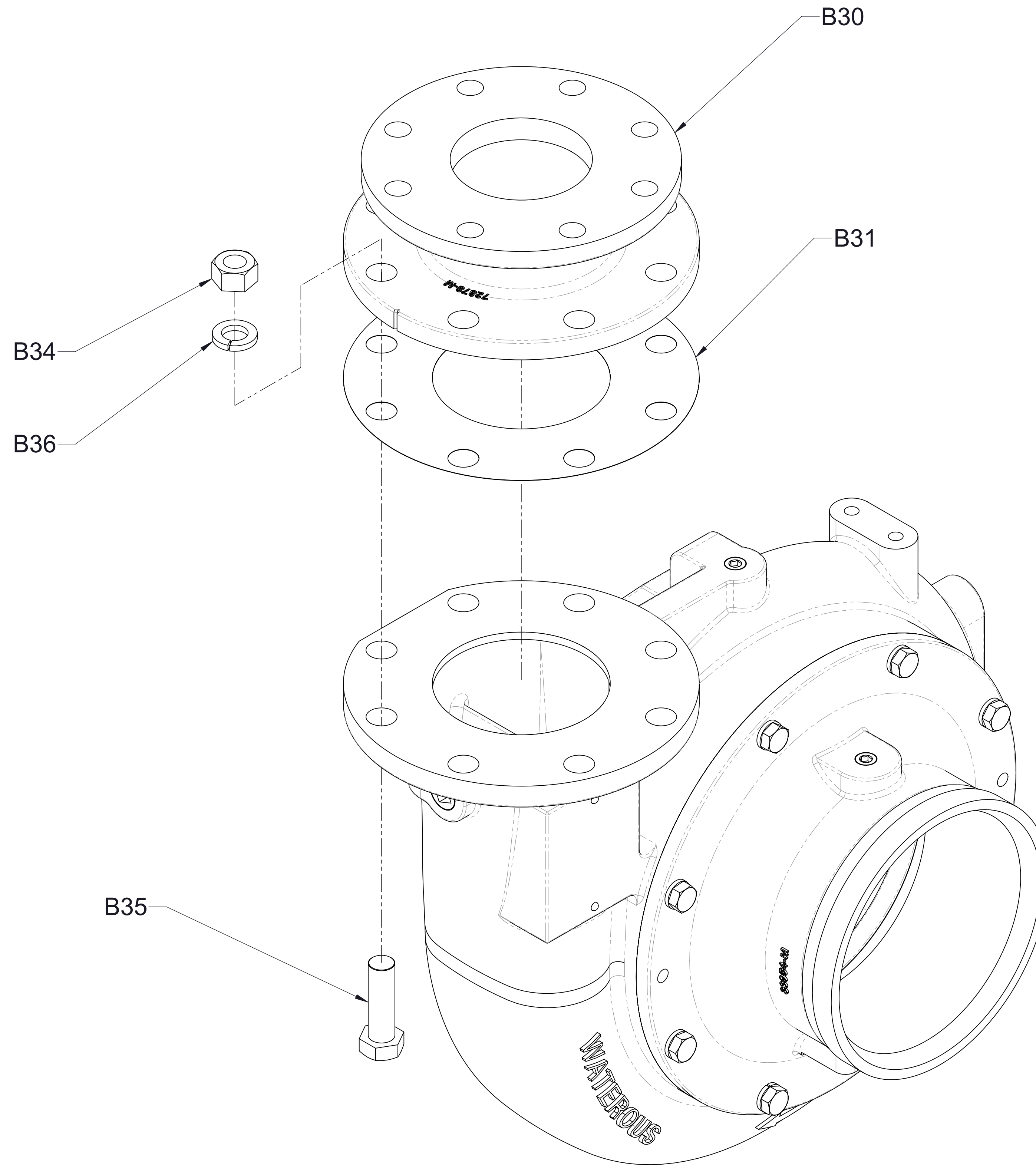
Ref No.	Description	Included in AN9 *
AN4	Flange-Anode	
AN5	O-Ring, 3/4 x 15/16 in	
AN6	Adapter-Anode, Threaded	
AN7	Anode-Magnesium	X
AN8	Screw-Hex Hd, 1/2-13 x 3 in	X
AN9	Anode Replacement Kit	
AN10	Spacer-Anode	X
AN11	Washer-Plain, 5/8 in	X
AN12	O-Ring, 3/4 x 1 in	X
AN13	Plug-Pipe, Square Hd, 1/4 NPT	
B2	Fitting-Intake, Tee, 6 in, Inverted (Includes wear ring)	
B3	O-Ring, 12 x 12-1/4 in	
B4	Plug-Pipe, Headless, 3/8 NPT	
B9	Washer-Lock, 1/2 in	
B10	Screw-Hex Hd, 1/2-13 x 1-1/4 in	
B11	Plug-Pipe, Headless, 3/4 NPT	
B38	O-Ring, 3-1/2 x 3-3/4 in	X
B39	Washer-Lock, 5/16 in	
B40	Screw-Hex Hd, 5/16-18 x 1 in	
B41	O-Ring, 1-3/4 x 2 in	
B42	Screw-Hex Hd, 7/16-14 x 1 in	
B43	Cover-Pad, Priming Valve	
B44	Flange-Blind, with Drain	
B45	Anode Assembly	

Note:
1. For replacement of AN7 or AN10 furnish Anode Replacement Kit (AN9).



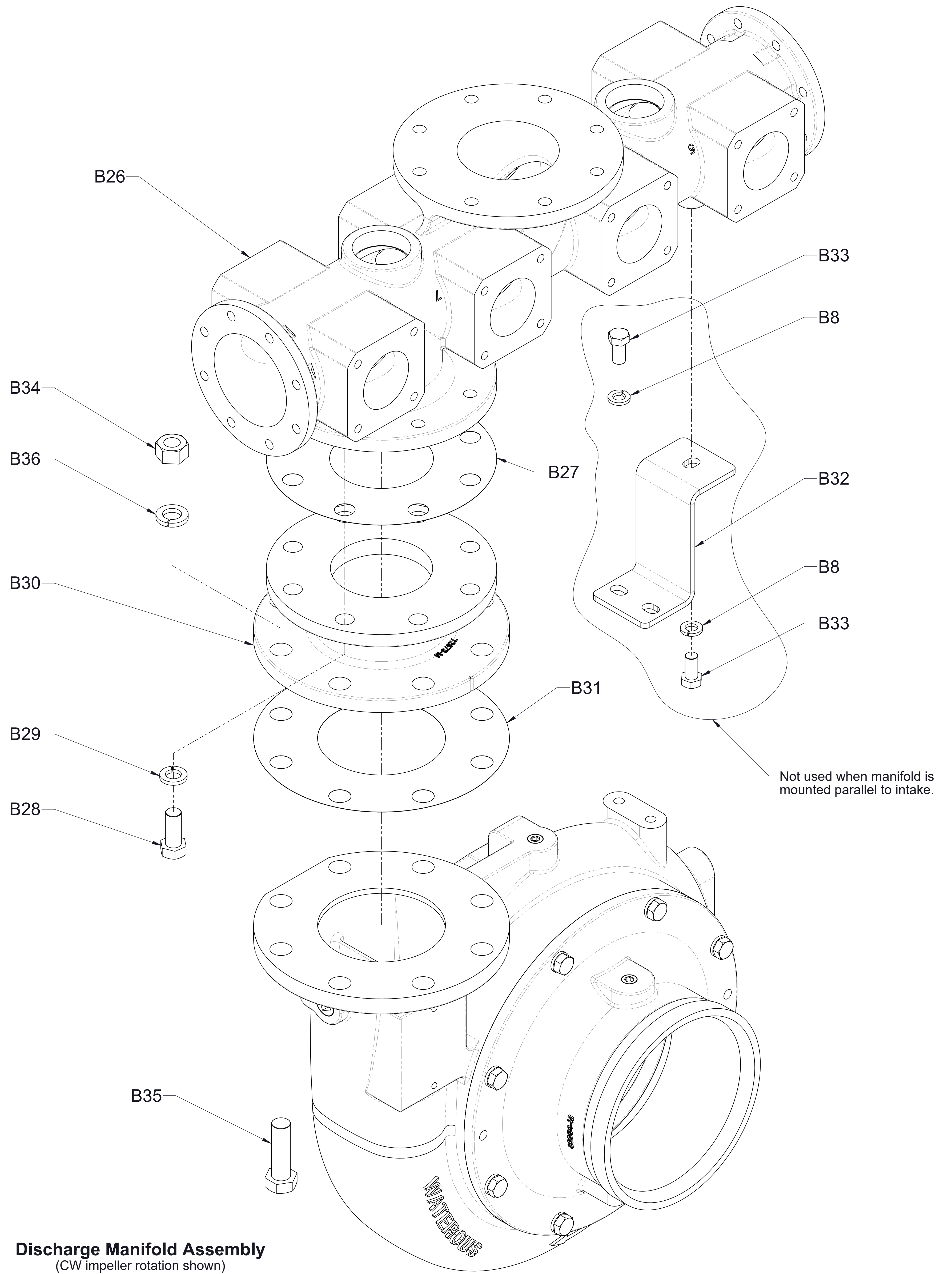
Dual 6 in Victaulic (Inverted) Intake Assembly
(CW impeller rotation shown)

Ref No.	Description
B30	Adapter-Flange, 4 in ANSI to 5 in ANSI
B31	Gasket, 5 in ANSI
B34	Nut-Hex, 3/4-10
B35	Screw-Hex Hd, 3/4-10 x 2-1/2 in
B36	Washer-Lock, 3/4 in



ANSI Discharge Flange Adapter Assembly
(CW impeller rotation shown)

Ref No.	Description
B8	Washer-Lock, 1/2 in
B26	Manifold-Discharge
B27	Gasket, 4 in ANSI
B28	Screw-Hex Hd, 5/8-11 x 1-1/2 in
B29	Washer-Lock, 5/8 in
B30	Adapter-Flange, 4 in ANSI to 5 in ANSI
B31	Gasket, 5 in ANSI
B32	Bracket-Manifold
B33	Screw-Hex Hd, 1/2-13 x 1 in
B34	Nut-Hex, 3/4-10
B35	Screw-Hex Hd, 3/4-10 x 2-1/2 in
B36	Washer-Lock, 3/4 in



Discharge Manifold Assembly
 (CW impeller rotation shown)
 (Mounting Perpendicular to Intake shown)