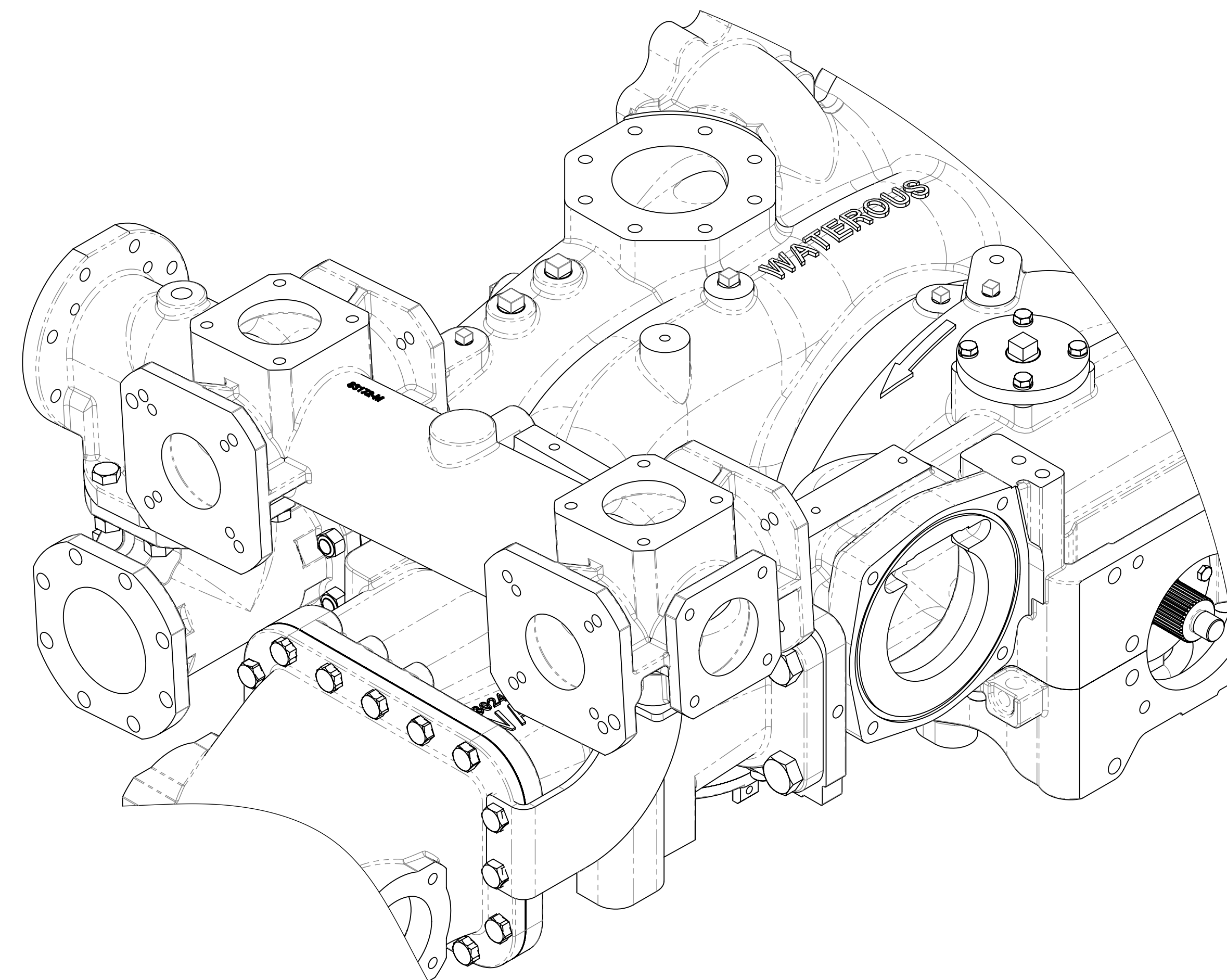
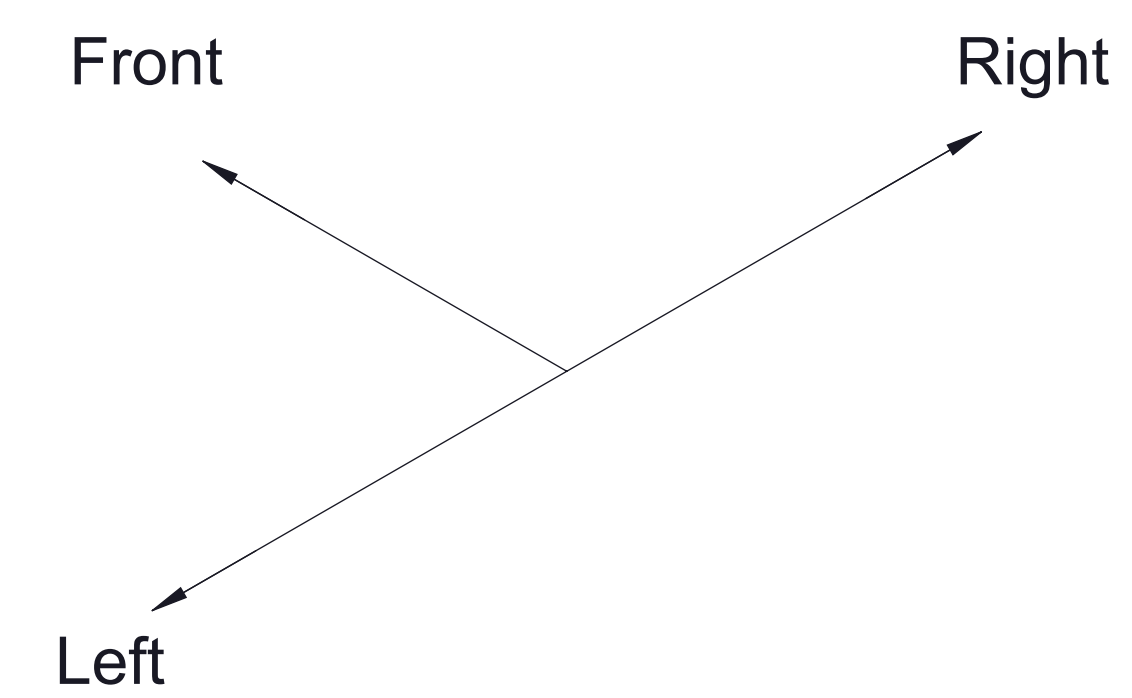
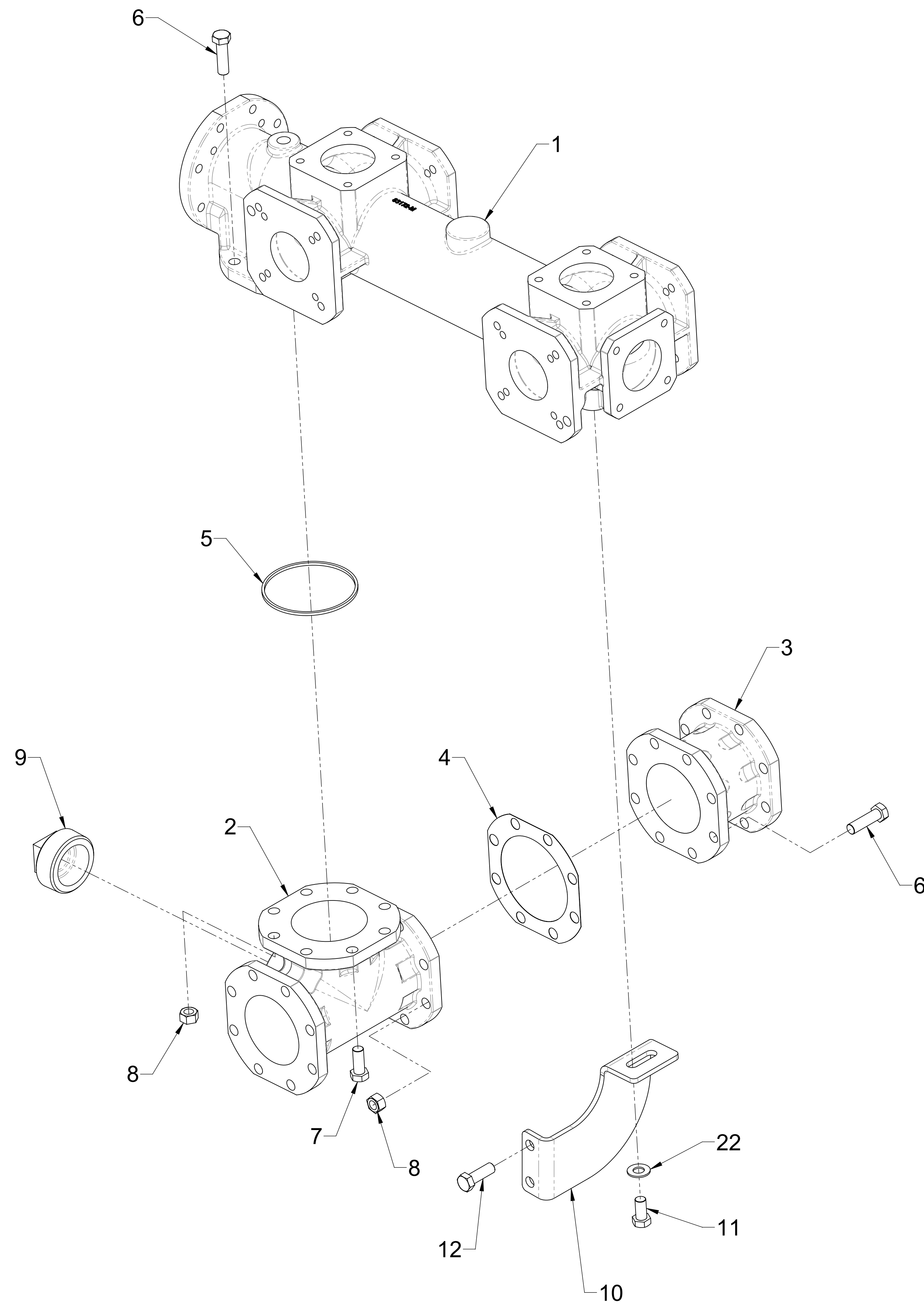


**"H" Discharge Manifold Service Parts List**

Configuration	Discharge Position	See Page
Tee	Left Side	2
Tee with Spacer	Left Side	3
Elbow	Left Side	4
Tee (Rear Intake Adapter)	Left Side	5
Elbow (Rear Intake Adapter)	Left Side	6
Tee	Right Side	7
Tee with Spacer	Right Side	8
Elbow	Right Side	9
Tee (Rear Intake Adapter)	Right Side	10
Elbow (Rear Intake Adapter)	Right Side	11

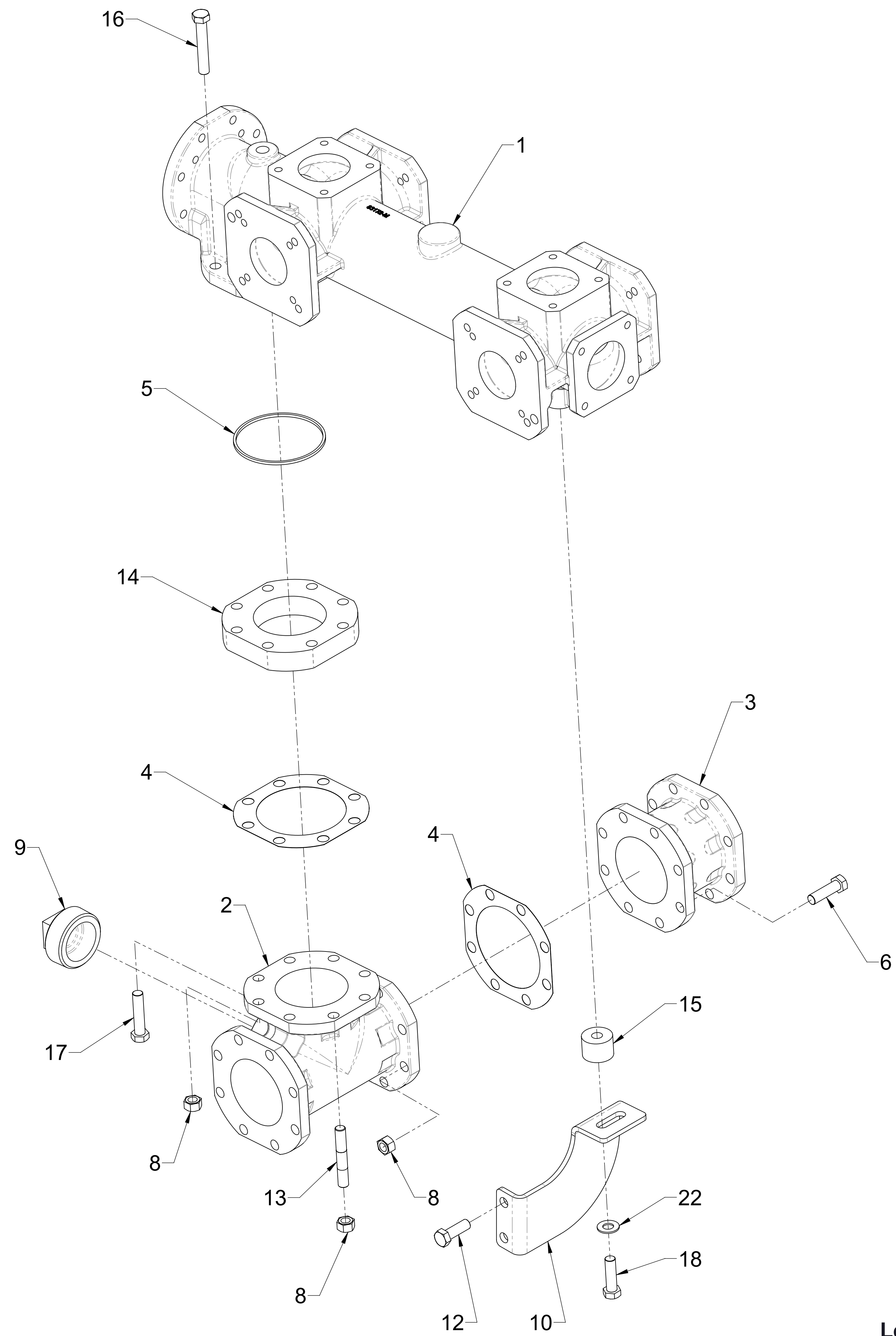


Ref No.	Description
1	Manifold-Discharge, H
2	Tee-Flanged
3	Extension-Discharge
4	Gasket-Flange, 3-1/2, 8-Bolt
5	Gasket - Flange, Discharge
6	Screw-Hex Hd, 1/2-20 x 1-3/4 in
7	Screw-Hex Hd, 1/2-13 x 1-1/4 in
8	Nut-Hex, 1/2-20
9	Plug-Pipe, Square Hd, 2-1/2 NPT
10	Bracket-Manifold, Discharge, LH
11	Screw-Hex Hd, 1/2-13 x 1 in
12	Screw-Hex Hd, 1/2-13 x 1-1/2 in
22	Washer-Plain, 1/2 in

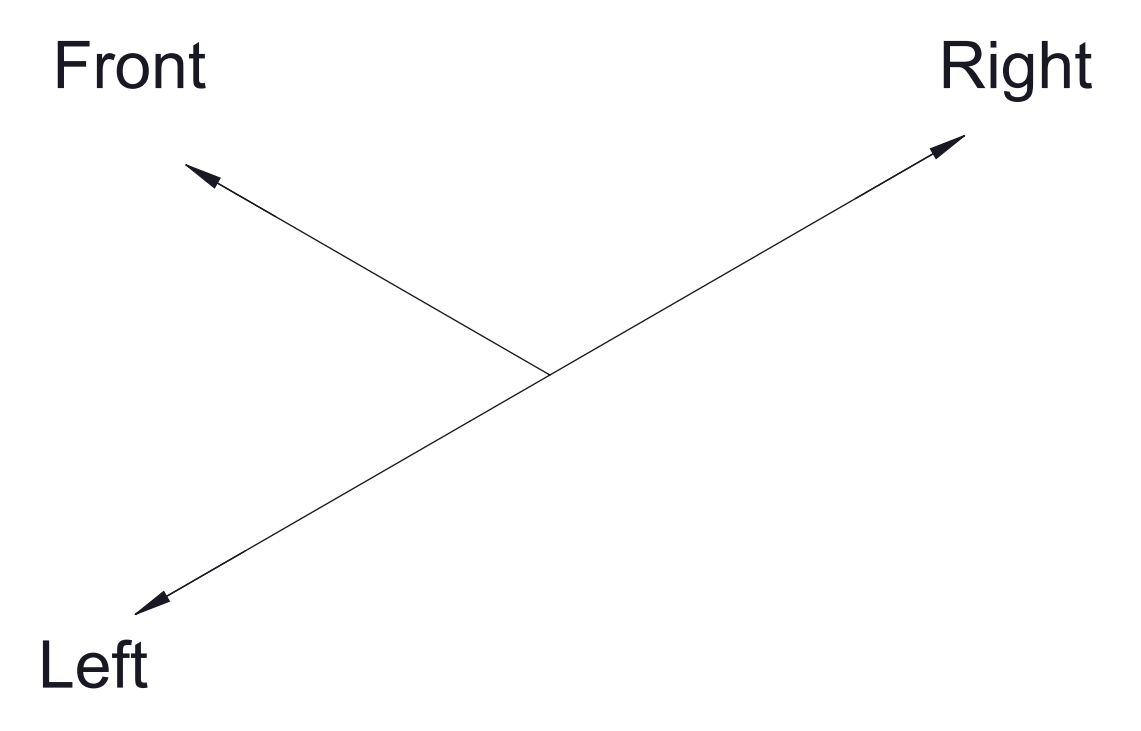


Left Side Discharge Assembly, Tee



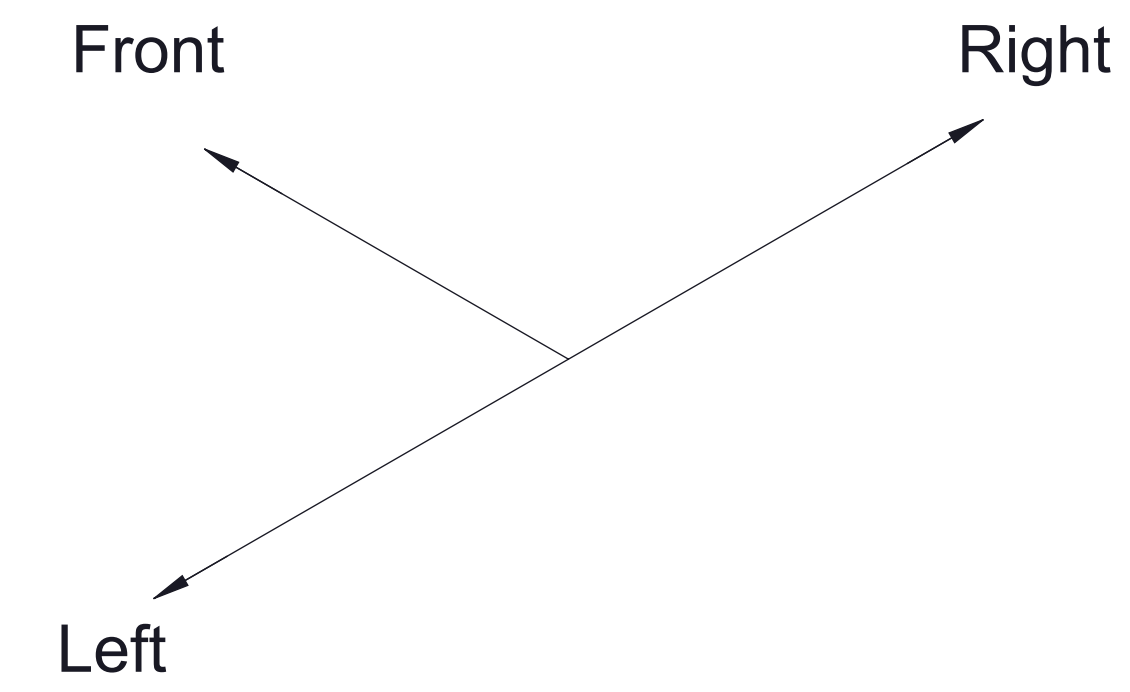
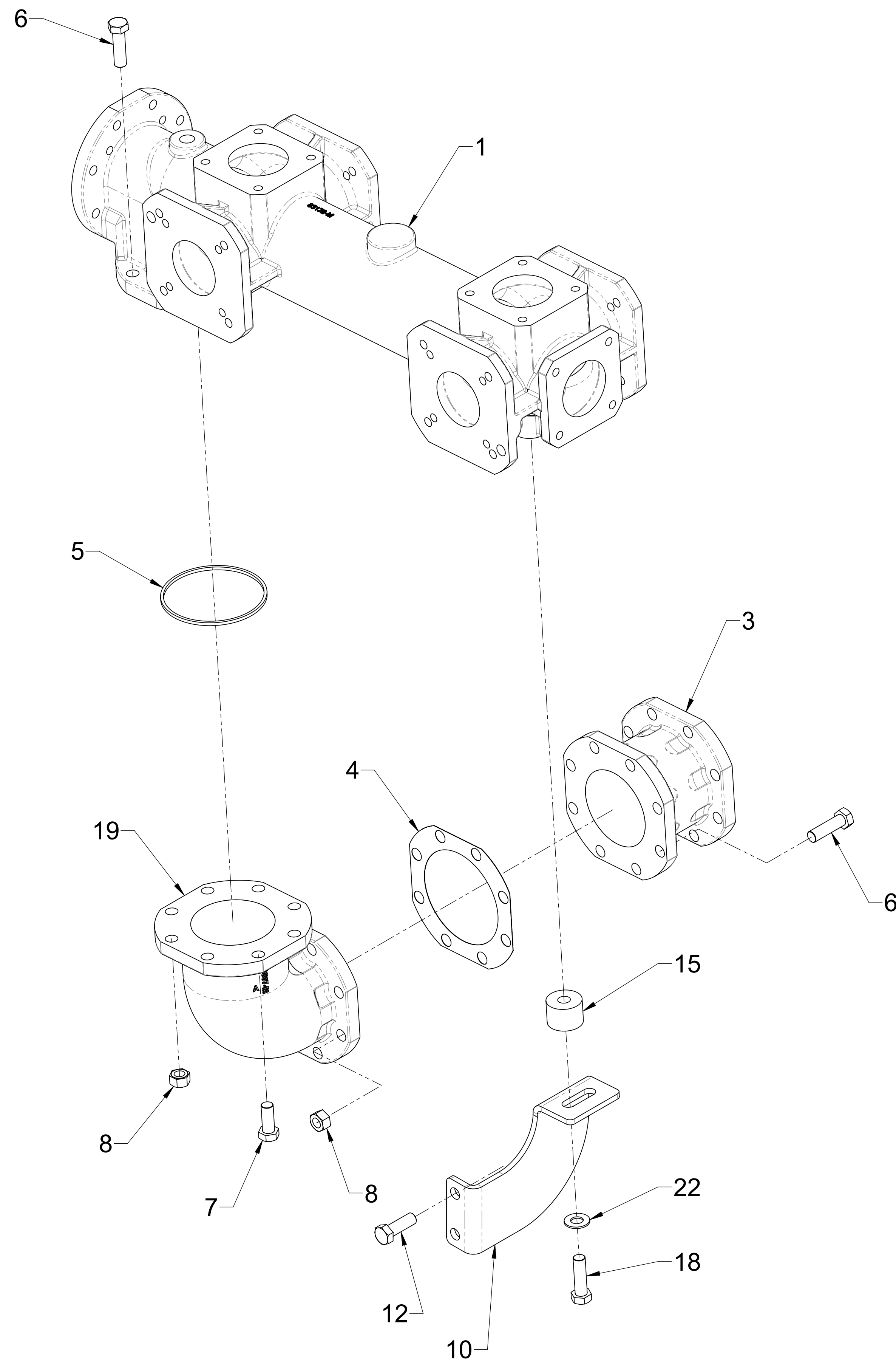


Ref No.	Description
1	Manifold-Discharge, H
2	Tee-Flanged
3	Extension-Discharge
4	Gasket-Flange, 3-1/2, 8-Bolt
5	Gasket - Flange, Discharge
6	Screw-Hex Hd, 1/2-20 x 1-3/4 in
8	Nut-Hex, 1/2-20
9	Plug-Pipe, Square Hd, 2-1/2 NPT
10	Bracket-Manifold, Discharge, LH
12	Screw-Hex Hd, 1/2-13 x 1-1/2 in
13	Stud-UNC x UNF, 1/2 x 3-1/4 in
14	Spacer
15	Spacer-Bracket
16	Screw-Hex Hd, 1/2-20 x 3 in
17	Screw-Hex Hd, 1/2-13 x 2-1/4 in
18	Screw-Hex Hd, 1/2-13 x 1-3/4 in
22	Washer-Plain, 1/2 in

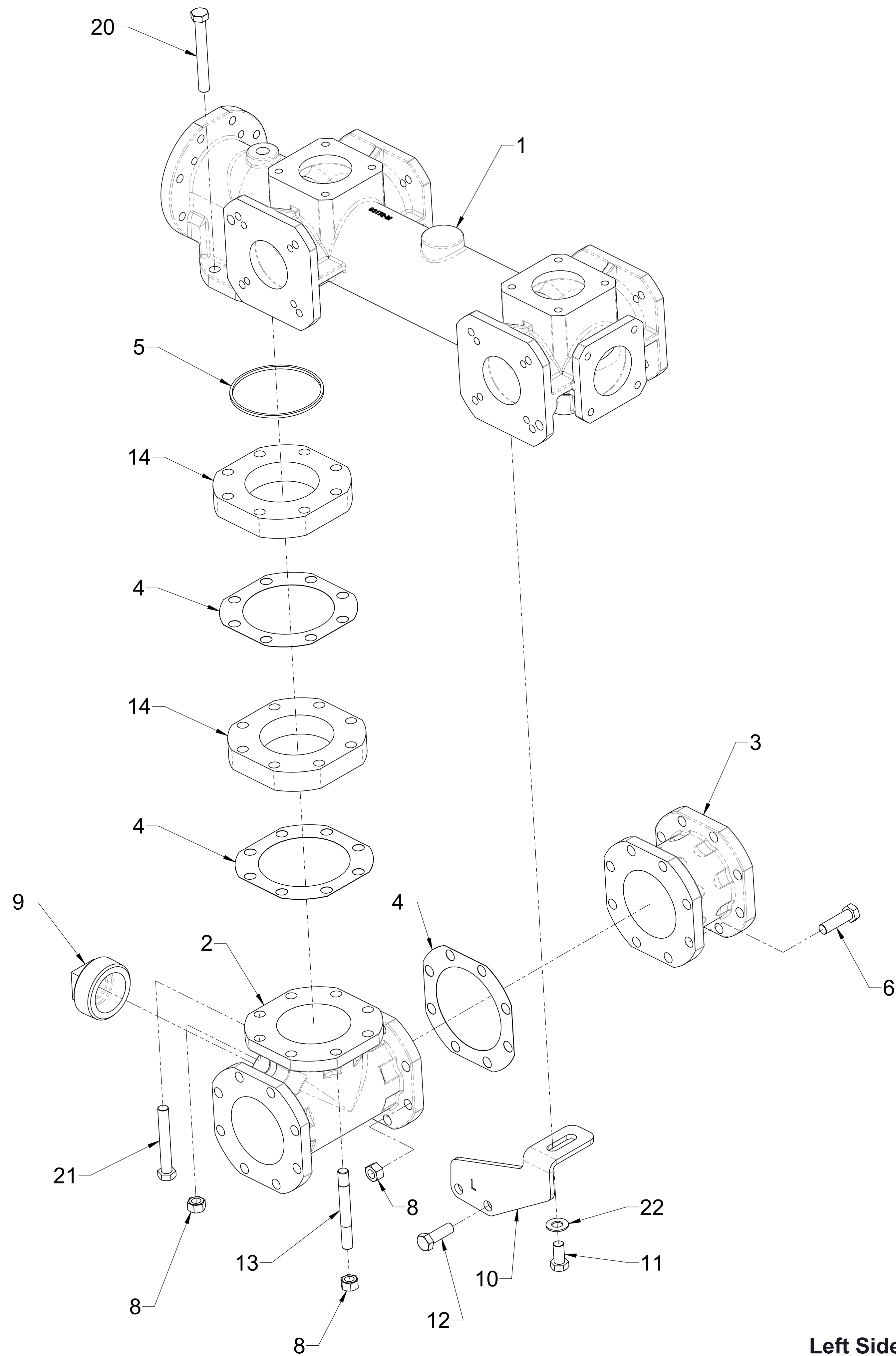


Left Side Discharge Assembly, Tee with Spacer

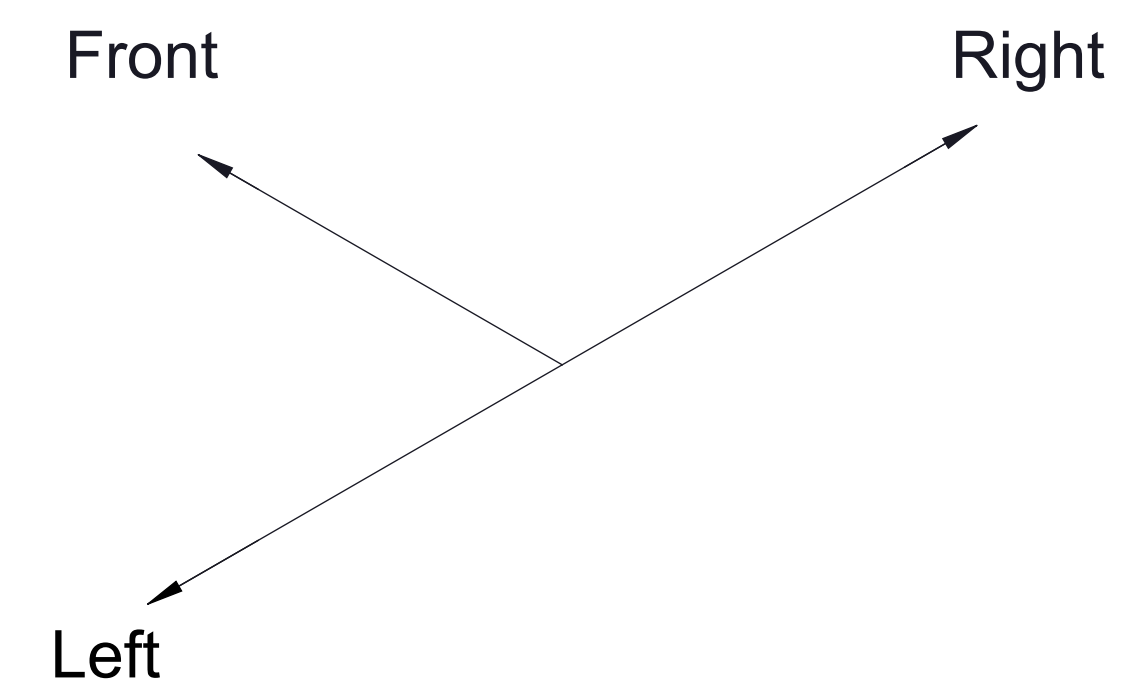
Ref No.	Description
1	Manifold-Discharge, H
3	Extension-Discharge
4	Gasket-Flange, 3-1/2, 8-Bolt
5	Gasket - Flange, Discharge
6	Screw-Hex Hd, 1/2-20 x 1-3/4 in
7	Screw-Hex Hd, 1/2-13 x 1-1/4 in
8	Nut-Hex, 1/2-20
10	Bracket-Manifold, Discharge, LH
12	Screw-Hex Hd, 1/2-13 x 1-1/2 in
15	Spacer-Bracket
18	Screw-Hex Hd, 1/2-13 x 1-3/4 in
19	Elbow-Flanged
22	Washer-Plain, 1/2 in



**Left Side Discharge Assembly, Elbow**



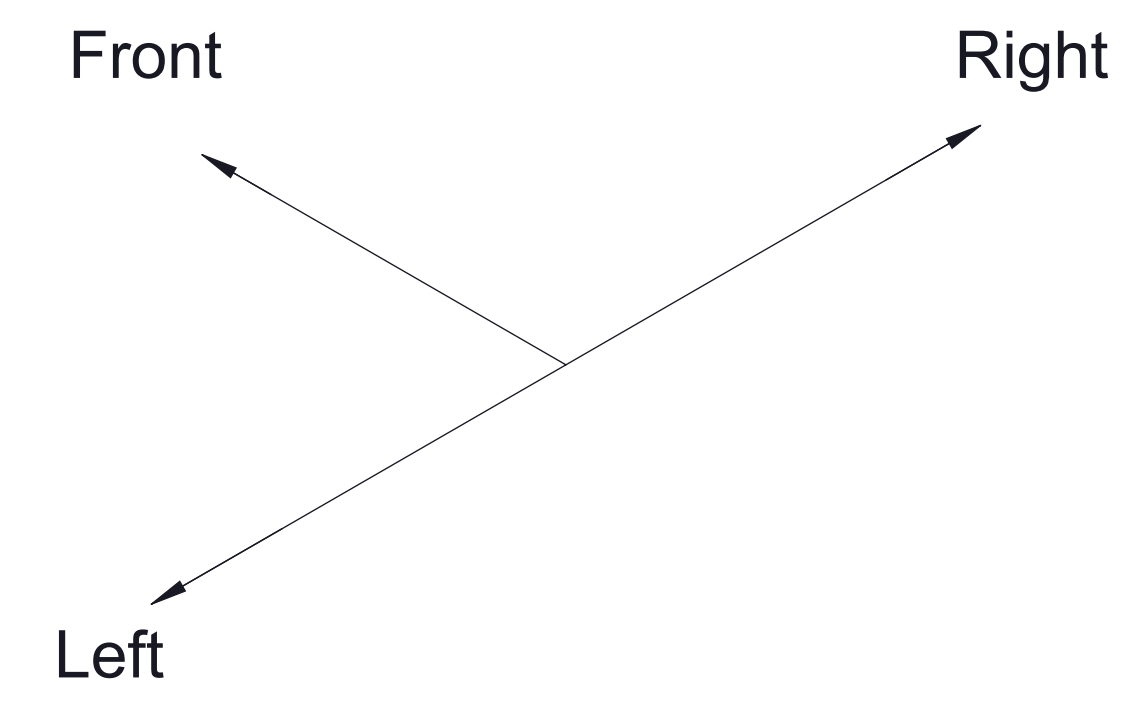
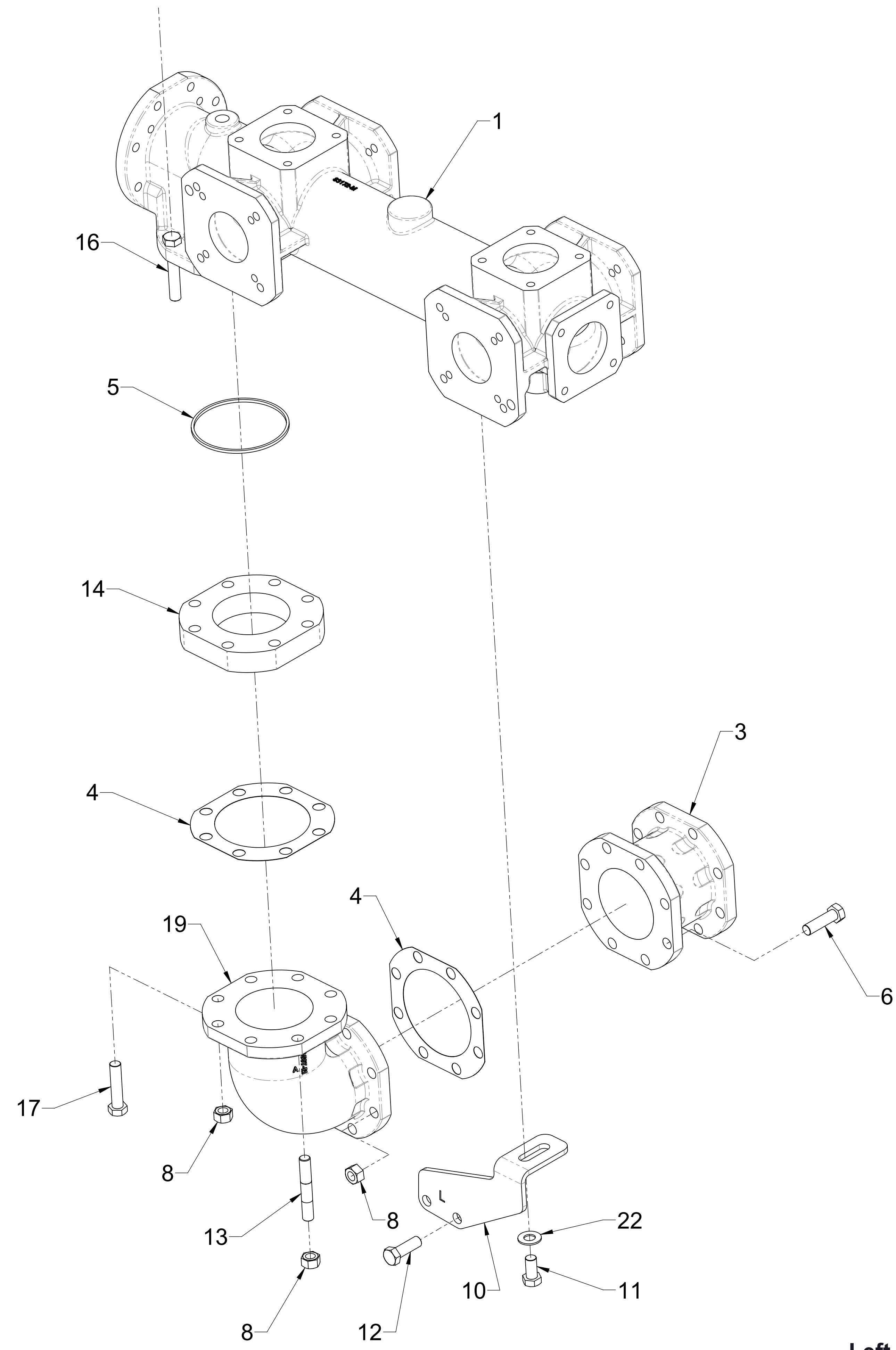
Ref No.	Description
1	Manifold-Discharge, H
2	Tee-Flanged
3	Extension-Discharge
4	Gasket-Flange, 3-1/2, 8-Bolt
5	Gasket - Flange, Discharge
6	Screw-Hex Hd, 1/2-20 x 1-3/4 in
8	Nut-Hex, 1/2-20
9	Plug-Pipe, Square Hd, 2-1/2 NPT
10	Bracket-Support, LH
11	Screw-Hex Hd, 1/2-13 x 1 in
12	Screw-Hex Hd, 1/2-13 x 1-1/2 in
13	Stud-UNC x UNF, 1/2 x 4-1/4 in
14	Spacer
20	Screw-Hex Hd, 1/2-20 x 4 in
21	Screw-Hex Hd, 1/2-13 x 3-1/4 in
22	Washer-Plain, 1/2 in



**Left Side Discharge Assembly (Rear Intake Adapter), Tee**

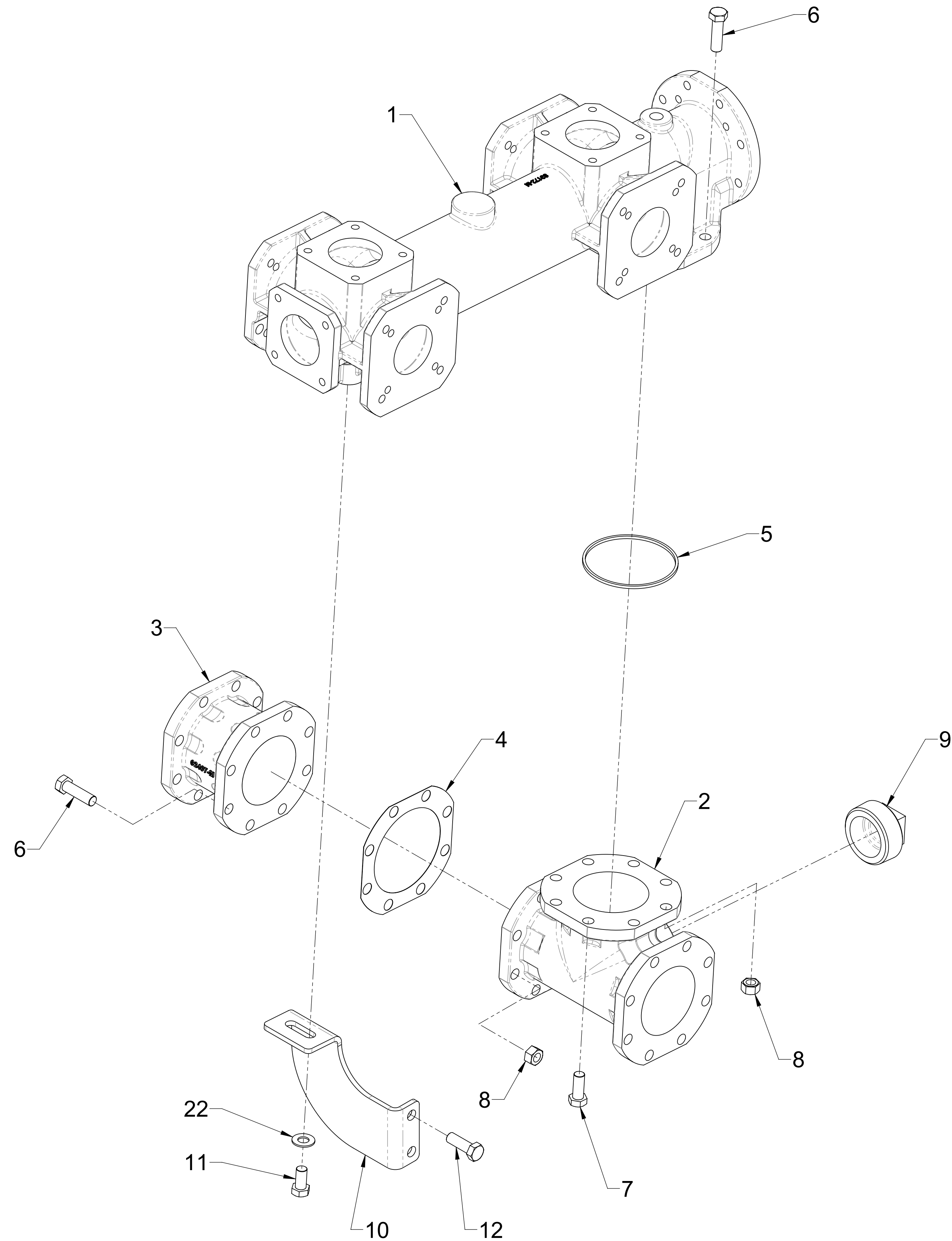
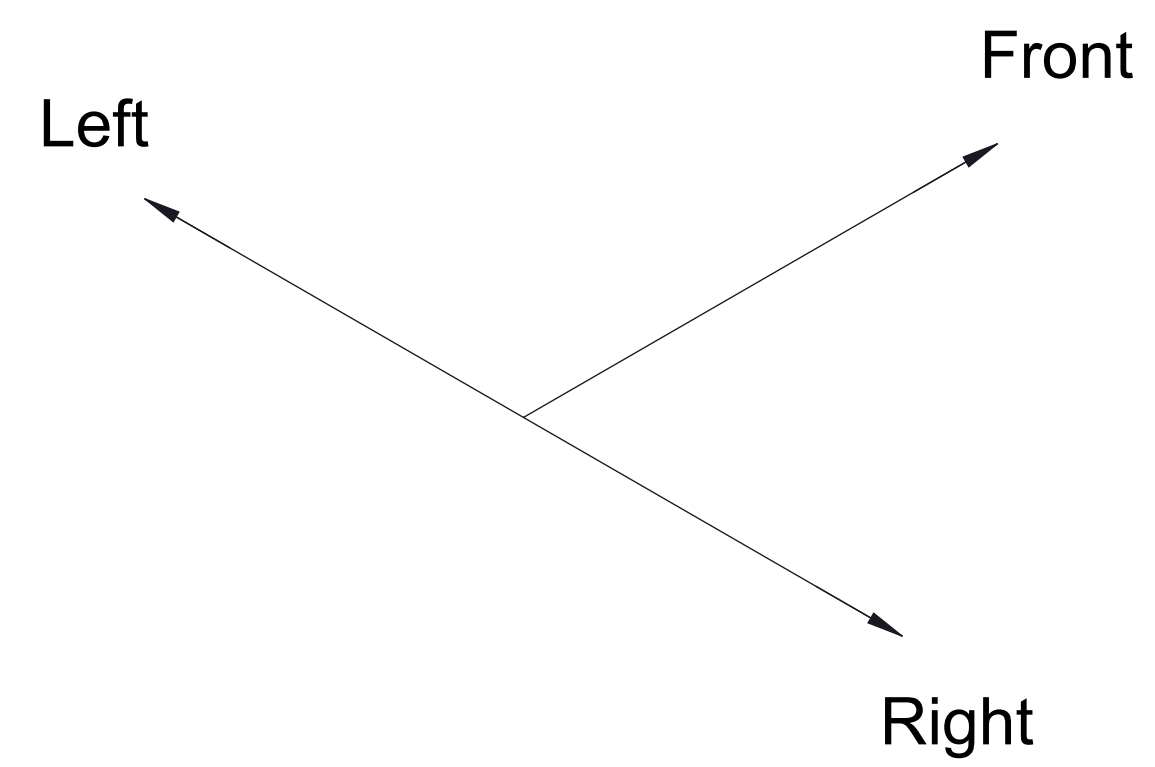


Ref No.	Description
1	Manifold-Discharge, H
3	Extension-Discharge
4	Gasket-Flange, 3-1/2, 8-Bolt
5	Gasket - Flange, Discharge
6	Screw-Hex Hd, 1/2-20 x 1-3/4 in
8	Nut-Hex, 1/2-20
10	Bracket-Support, LH
11	Screw-Hex Hd, 1/2-13 x 1 in
12	Screw-Hex Hd, 1/2-13 x 1-1/2 in
13	Stud-UNC x UNF, 1/2 x 3-1/4 in
14	Spacer
16	Screw-Hex Hd, 1/2-20 x 3 in
17	Screw-Hex Hd, 1/2-13 x 2-1/4 in
19	Elbow-Flanged
22	Washer-Plain, 1/2 in



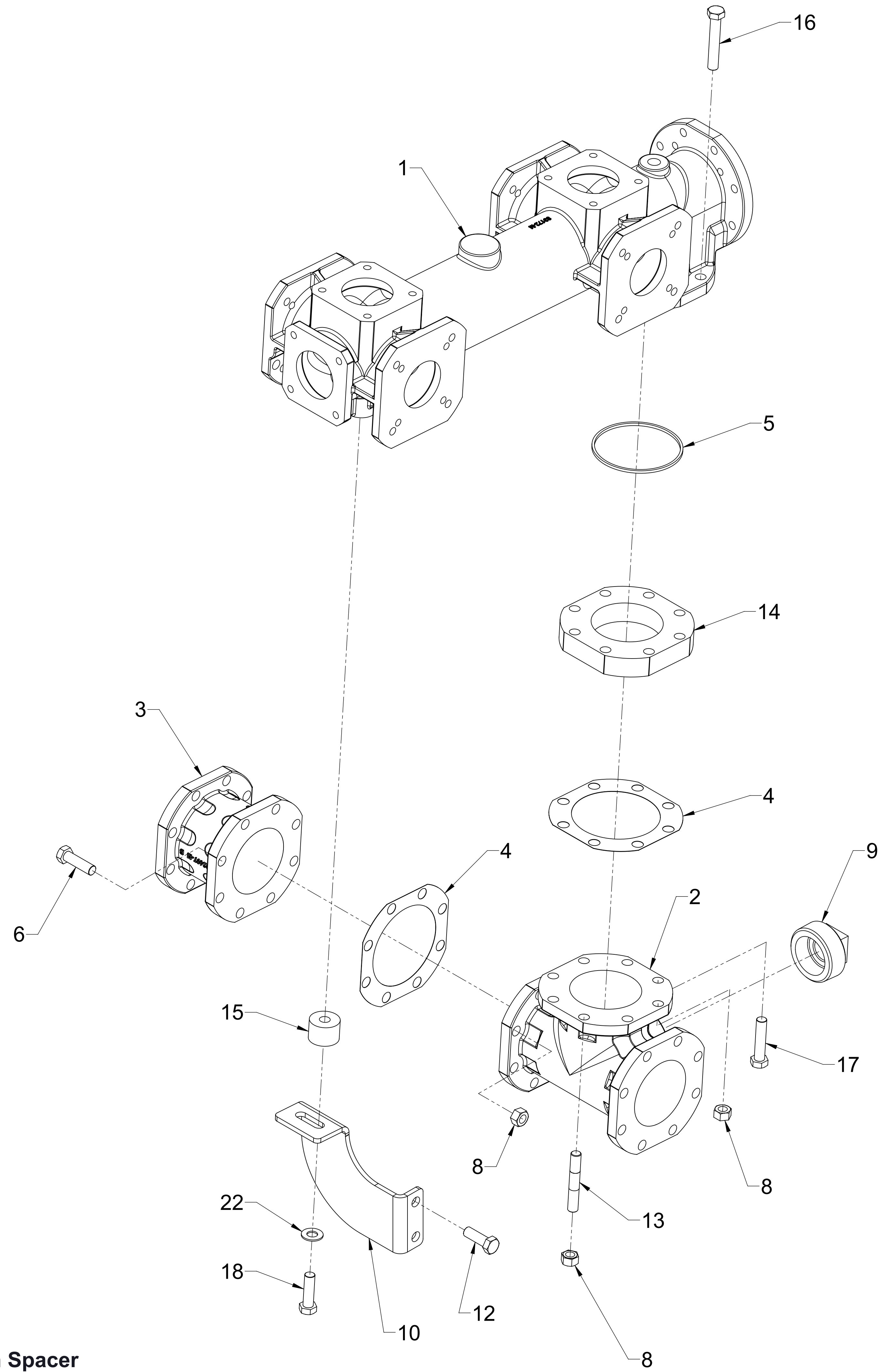
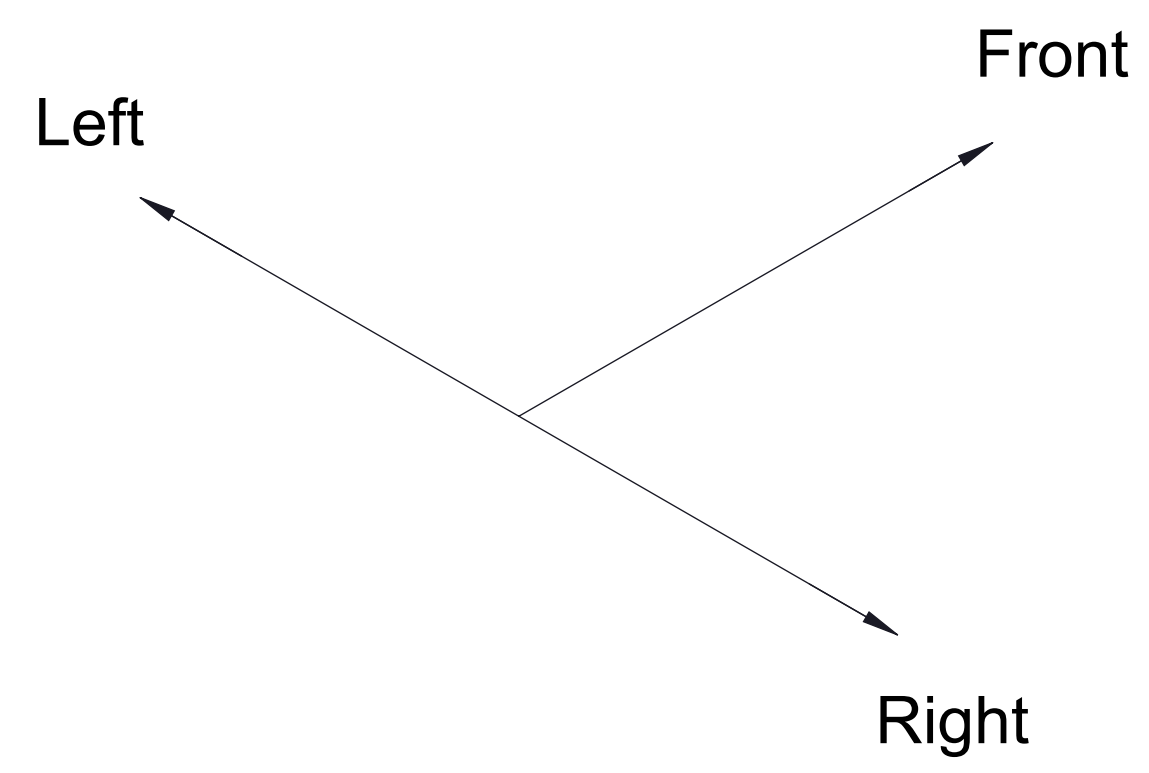
**Left Side Discharge Assembly (Rear Intake Adapter), Elbow**

Ref No.	Description
1	Manifold-Discharge, H
2	Tee-Flanged
3	Extension-Discharge
4	Gasket-Flange, 3-1/2, 8-Bolt
5	Gasket - Flange, Discharge
6	Screw-Hex Hd, 1/2-20 x 1-3/4 in
7	Screw-Hex Hd, 1/2-13 x 1-1/4 in
8	Nut-Hex, 1/2-20
9	Plug-Pipe, Square Hd, 2-1/2 NPT
10	Bracket-Manifold, Discharge, RH
11	Screw-Hex Hd, 1/2-13 x 1 in
12	Screw-Hex Hd, 1/2-13 x 1-1/2 in
22	Washer-Plain, 1/2 in



Right Side Discharge Assembly, Tee

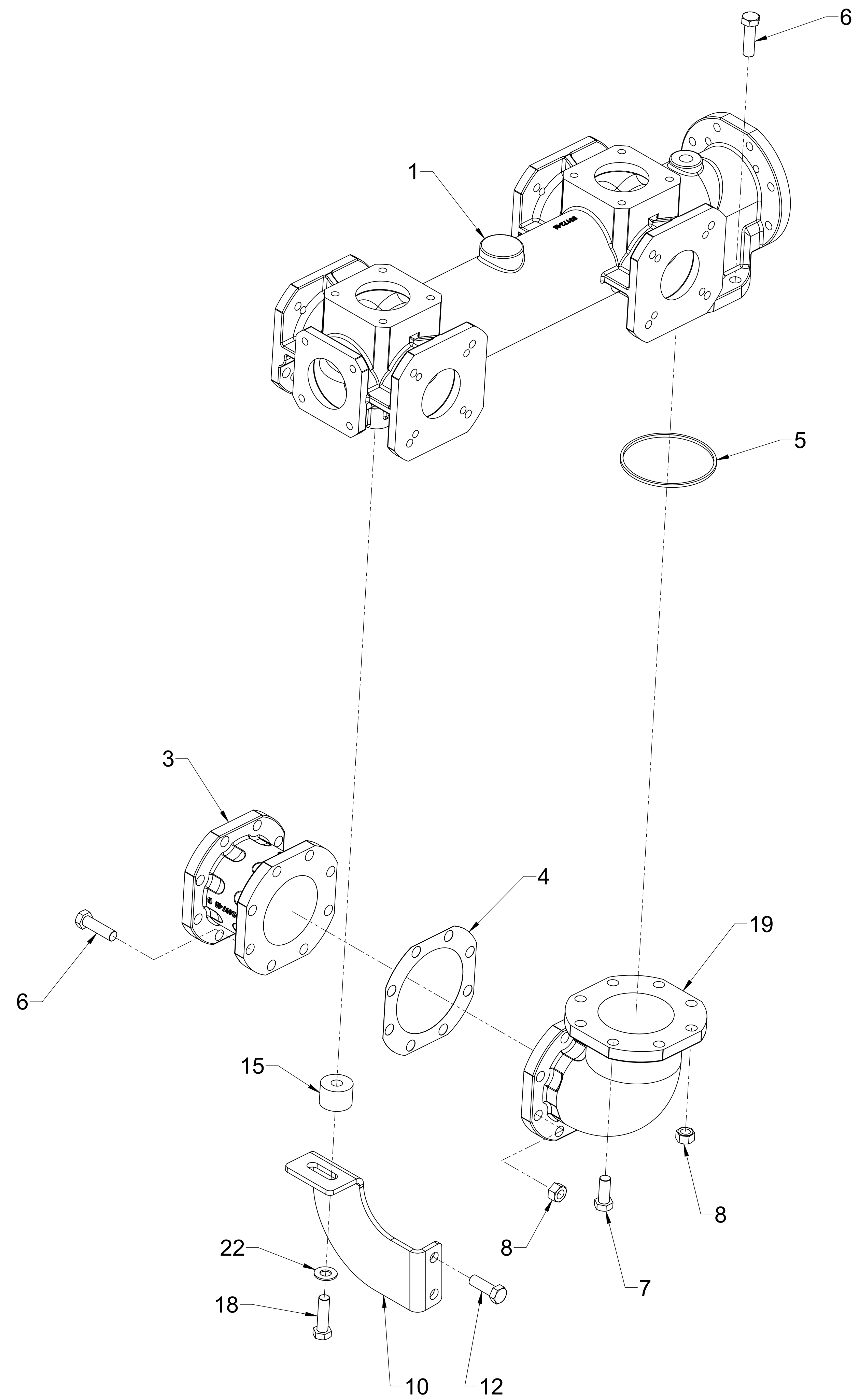
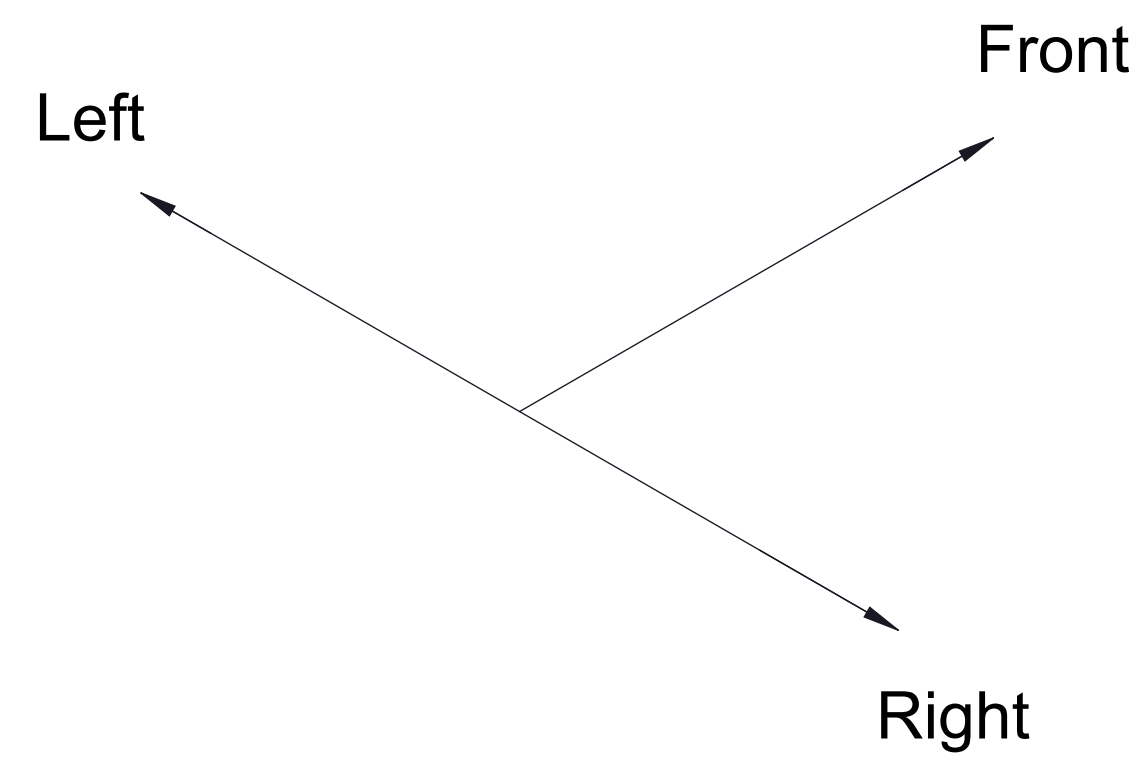
Ref No.	Description
1	Manifold-Discharge, H
2	Tee-Flanged
3	Extension-Discharge
4	Gasket-Flange, 3-1/2, 8-Bolt
5	Gasket - Flange, Discharge
6	Screw-Hex Hd, 1/2-20 x 1-3/4 in
8	Nut-Hex, 1/2-20
9	Plug-Pipe, Square Hd, 2-1/2 NPT
10	Bracket-Manifold, Discharge, RH
12	Screw-Hex Hd, 1/2-13 x 1-1/2 in
13	Stud-UNC x UNF, 1/2 x 3-1/4 in
14	Spacer
15	Spacer-Bracket
16	Screw-Hex Hd, 1/2-20 x 3 in
17	Screw-Hex Hd, 1/2-13 x 2-1/4 in
18	Screw-Hex Hd, 1/2-13 x 1-3/4 in
22	Washer-Plain, 1/2 in



**Right Side Discharge Assembly, Tee with Spacer**

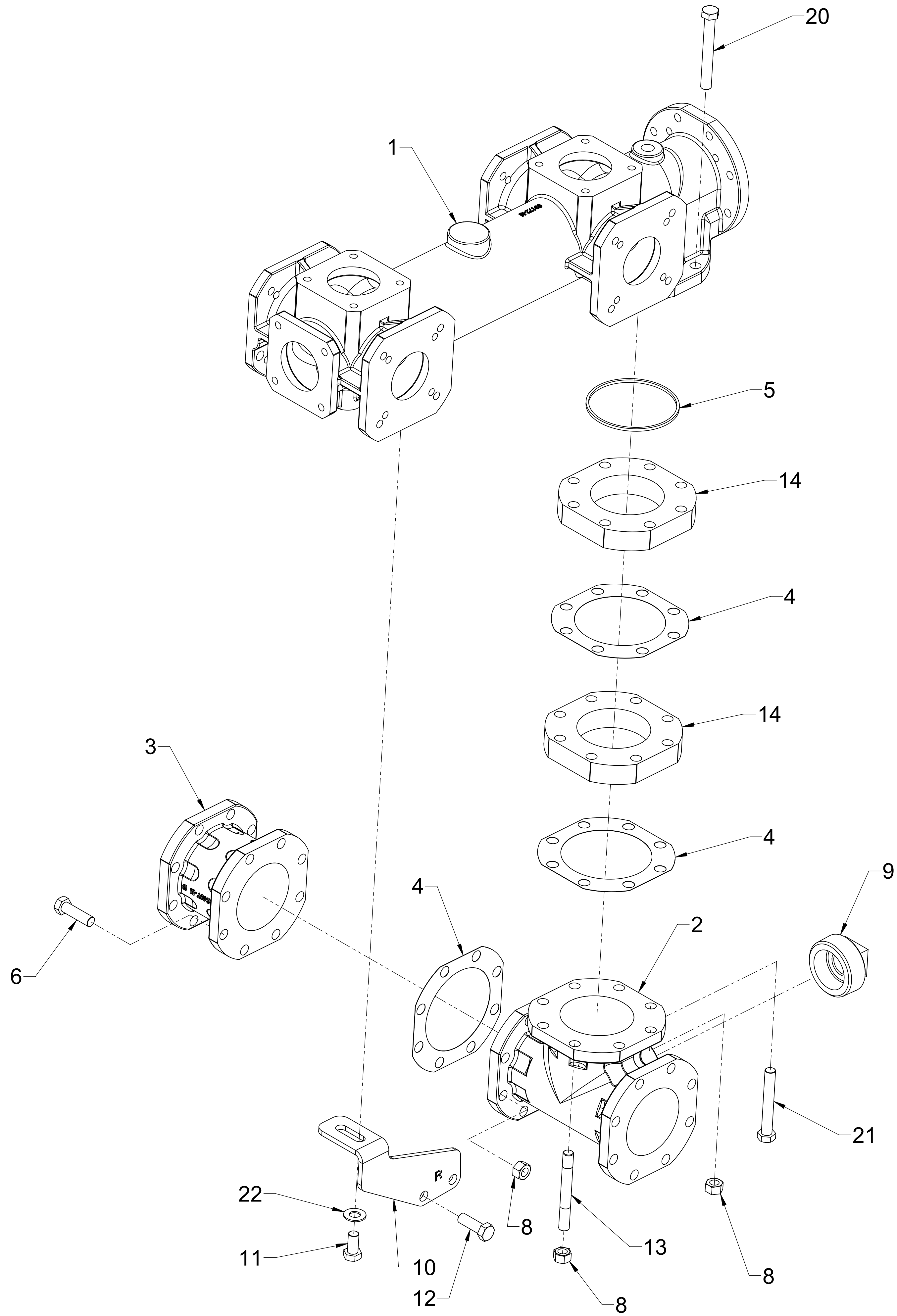
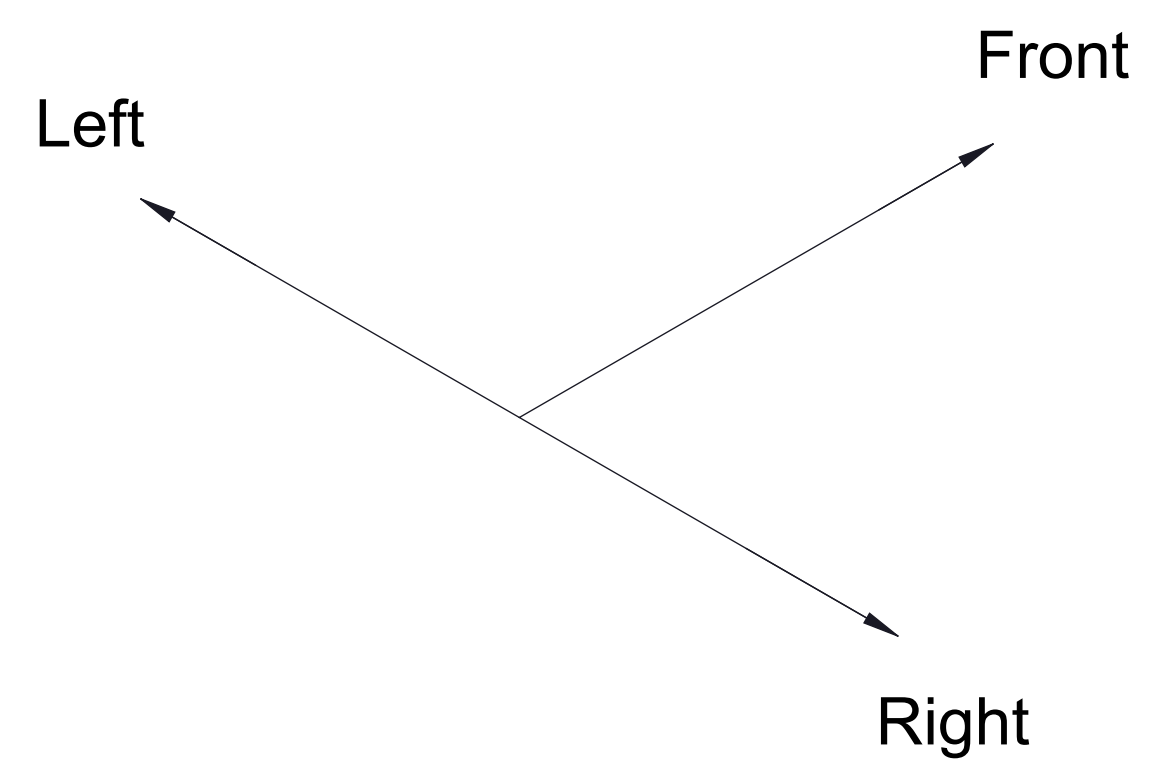


Ref No.	Description
1	Manifold-Discharge, H
3	Extension-Discharge
4	Gasket-Flange, 3-1/2, 8-Bolt
5	Gasket - Flange, Discharge
6	Screw-Hex Hd, 1/2-20 x 1-3/4 in
7	Screw-Hex Hd, 1/2-13 x 1-1/4 in
8	Nut-Hex, 1/2-20
10	Bracket-Manifold, Discharge, RH
12	Screw-Hex Hd, 1/2-13 x 1-1/2 in
15	Spacer-Bracket
18	Screw-Hex Hd, 1/2-13 x 1-3/4 in
19	Elbow-Flanged
22	Washer-Plain, 1/2 in



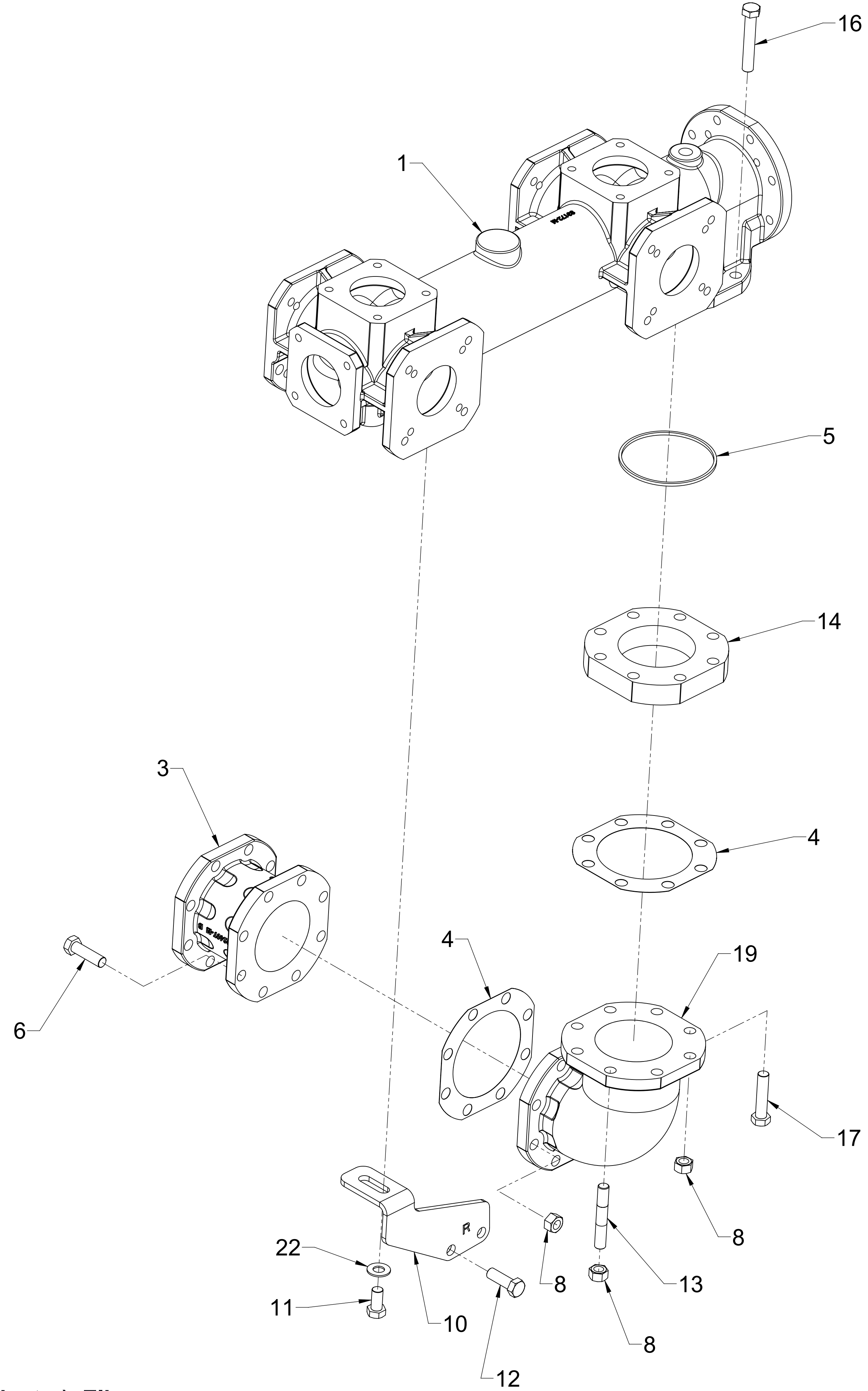
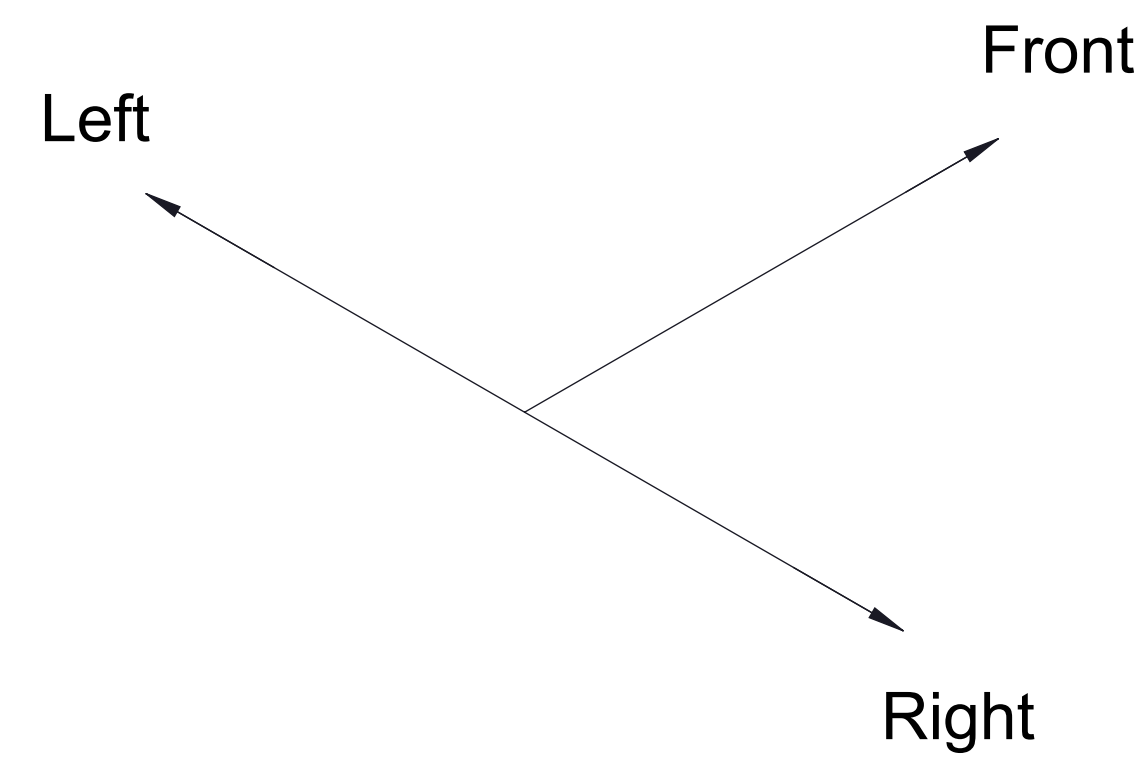
**Right Side Discharge Assembly, Elbow**

Ref No.	Description
1	Manifold-Discharge, H
2	Tee-Flanged
3	Extension-Discharge
4	Gasket-Flange, 3-1/2, 8-Bolt
5	Gasket - Flange, Discharge
6	Screw-Hex Hd, 1/2-20 x 1-3/4 in
8	Nut-Hex, 1/2-20
9	Plug-Pipe, Square Hd, 2-1/2 NPT
10	Bracket-Support, RH
11	Screw-Hex Hd, 1/2-13 x 1 in
12	Screw-Hex Hd, 1/2-13 x 1-1/2 in
13	Stud-UNC x UNF, 1/2 x 4-1/4 in
14	Spacer
20	Screw-Hex Hd, 1/2-20 x 4 in
21	Screw-Hex Hd, 1/2-13 x 3-1/4 in
22	Washer-Plain, 1/2 in



**Right Side Discharge Assembly (Rear Intake Adapter), Tee**

Ref No.	Description
1	Manifold-Discharge, H
3	Extension-Discharge
4	Gasket-Flange, 3-1/2, 8-Bolt
5	Gasket - Flange, Discharge
6	Screw-Hex Hd, 1/2-20 x 1-3/4 in
8	Nut-Hex, 1/2-20
10	Bracket-Support, RH
11	Screw-Hex Hd, 1/2-13 x 1 in
12	Screw-Hex Hd, 1/2-13 x 1-1/2 in
13	Stud-UNC x UNF, 1/2 x 3-1/4 in
14	Spacer
16	Screw-Hex Hd, 1/2-20 x 3 in
17	Screw-Hex Hd, 1/2-13 x 2-1/4 in
19	Elbow-Flanged
22	Washer-Plain, 1/2 in



Right Side Discharge Assembly (Rear Intake Adapter), Elbow