



THEN, NOW, ALWAYS. MOVING FORWARD.

SPECIFICATIONS – INDUSTRIAL: MODEL TC22
High-Strength, High-Performance Transmissions

The Waterous TC22 transmission is a chain drive power take-off with a housing constructed of high-strength aluminum. Drive and driven sprockets are made of hardened steel and have ground bores. Shafts are made of alloy steel forgings, hardened and ground to size. A passive lubrication system eliminates the need for a separate oil pump. The shift mechanism is a constant-mesh, two-position sliding collar that engages all teeth simultaneously.

Specifications:

- Case:**
High strength aluminum
- Driveline:**
Standard 2.35 inch, 46 tooth involute 16,000 LB-FT (21,760 N · m) torque rating.
- Output:**
Single to front or rear or dual to both front and rear. 1410 series U-bolt type end yoke or SAE class B 2-bolt hydraulic flange with 7/8-13T (SAE B) internal involute spline shaft available
- Ratios:**
1.14, 1.27, 1.41, 1.48, 1.58, 1.69, 1.79, 1.88, 1.97, 2.03, 2.27, 2.46, 2.68
- Sprockets:**
Alloy steel, carburized and hardened
- Bearings:**
Oil lubricated ball bearings throughout.
- Gears:** Constant mesh helical, alloy steel. All gears are crown shaved, carburized and hardened. The bores are precision ground.
- Chain:**
High strength silent chain
- Lubrication:**
Passive lubrication system eliminates need for a separate oil pump.
- Shift Mechanism:**
Constant mesh, two position sliding collar that engages all teeth simultaneously.
- Power Shift:**
Air power allows the operator to shift to ROAD or PTO position by actuating a simple valve. Illuminated LED's signal completion of shift from ROAD to PTO.

Ratio Horsepower Ratings:

No. of Teeth in Driven Sprocket	Ratios	Output Shaft Speed (RPM)										
		1000	1500	2000	2500	3000	3500	4000	4500	5000	5500	6000
22	2.68	76	114	150	185	217	248	276	302	321	341	356
24	2.46	83	124	162	200	233	266	294	318	337	355	367
26	1.27, 1.58, 1.88, 2.27	89	133	174	214	250	283	311	334	351		
29	1.14, 1.41, 1.39, 2.03	99	148	192	236	273	306	333	353			
30	1.97	103	153	199	242	280	312	339	357			
33	1.48, 1.79	113	167	217	262	302	332	354				

- Notes:**
- Power capability is for general guidelines only. Horsepower and/or torque should be reviewed by Waterous Applications Manager.

Industry-Leading Sales and Support

When you purchase Waterous equipment, not only do you get quality products, you get quality service. Our expert service technicians are the best in the business and they are always happy to answer any service questions you might have.

Sales/Applications Assistance
 Phone: 651-450-5234 (Press 3)
 pumpsales@waterousco.com

Service Assistance
 Phone: 651-450-5200
 Fax: 800-488-1228
 service@waterousco.com

SPECIFICATIONS – INDUSTRIAL: MODEL TC22

Ratios and Dimensions

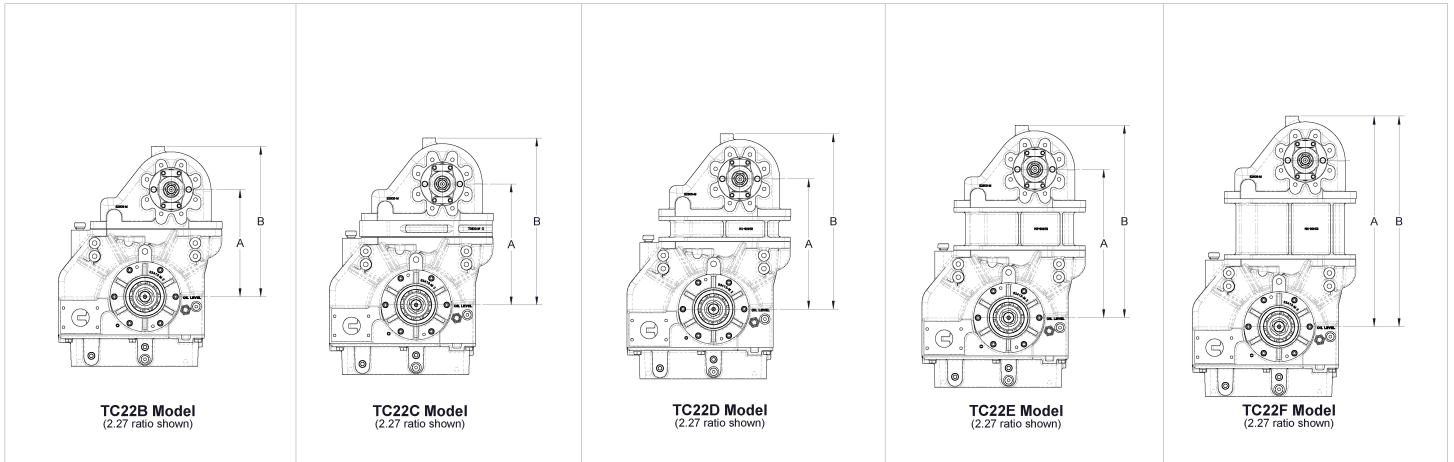


Table 2 - Available Ratios

Drive to Driven Ratio	TC22B		TC22C		TC22D		TC22E		TC22F	
	Dimension A	Dimension B	Dimension A	Dimension B	Dimension A	Dimension B	Dimension A	Dimension B	Dimension A	Dimension B
1.14	11.875/301.63	17.184/436.47	13.929/353.80	19.079/484.61	14.959/379.96	20.109/510.77	16.995/431.67	22.035/559.69	19.027/483.29	24.067/611.30
1.27	12.250/311.15	17.194/436.73	14.312/363.52	19.256/489.10	14.825/376.56	20.078/509.98	16.861/428.27	22.011/559.08	18.892/479.86	24.042/610.67
1.41	11.840/300.74	17.149/435.58	13.899/353.03	19.049/483.84	14.931/379.25	20.081/510.06	16.971/431.06	22.011/559.08	19.002/482.65	24.042/610.67
1.48	12.326/313.08	17.270/438.66	13.878/352.50	19.131/485.93	14.907/378.64	20.057/509.45	16.951/430.56	21.991/558.57	18.981/482.12	24.021/610.13
1.58	12.205/310.01	17.149/435.58	13.756/349.40	19.009/482.83	14.788/375.62	20.041/509.04	16.830/427.48	21.980/558.29	18.861/479.07	24.011/609.88
1.69	12.290/312.17	17.234/437.74	13.839/351.51	18.989/482.32	14.876/377.85	20.026/508.66	16.932/429.84	22.073/560.65	18.961/481.61	24.111/612.42
1.79	11.958/303.73	17.211/437.16	14.045/356.74	18.989/482.32	15.072/382.83	20.016/508.41	17.127/435.03	22.071/560.60	19.168/468.87	24.112/612.44
1.88	12.129/308.08	17.169/436.09	13.690/347.73	18.999/482.57	14.717/373.81	20.026/508.66	16.773/426.03	22.026/559.46	18.809/477.75	24.062/611.17
1.97	12.306/312.57	17.250/438.15	13.870/352.30	19.020/483.11	14.912/378.76	20.062/509.57	16.970/431.04	22.010/559.05	19.012/482.90	24.052/610.92
2.03	11.896/302.16	17.149/435.58	13.984/355.19	19.024/483.21	15.028/381.71	20.068/509.73	17.086/433.98	22.030/559.56	19.132/485.95	24.076/611.53
2.27	12.240/310.30	17.184/436.47	13.811/350.80	19.064/484.23	14.856/377.34	20.006/508.15	16.920/429.77	21.960/557.78	18.971/481.86	24.011/609.88
2.46	11.941/303.30	17.194/436.73	14.036/356.51	19.082/484.68	15.087/383.21	20.031/508.79	17.154/435.71	22.098/561.29	19.205/487.81	24.149/613.38
2.68	12.169/309.09	17.209/437.11	13.746/349.15	18.999/482.58	14.793/375.74	20.046/509.17	16.865/428.37	22.015/559.18	18.923/480.64	24.073/611.45

All dimensions shown as inch/millimeter